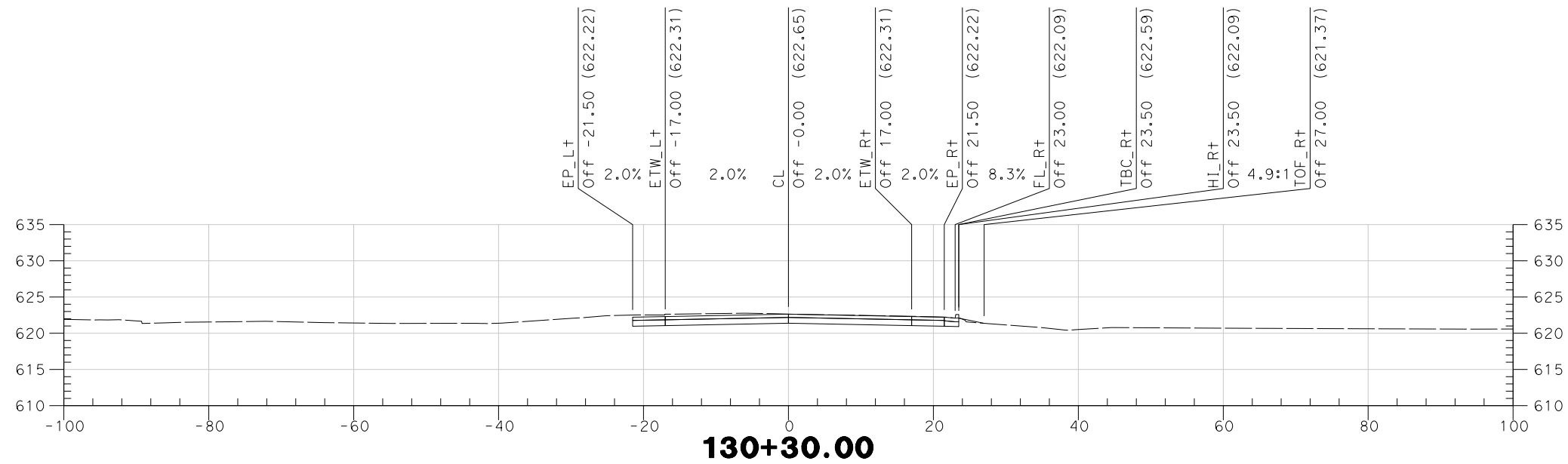
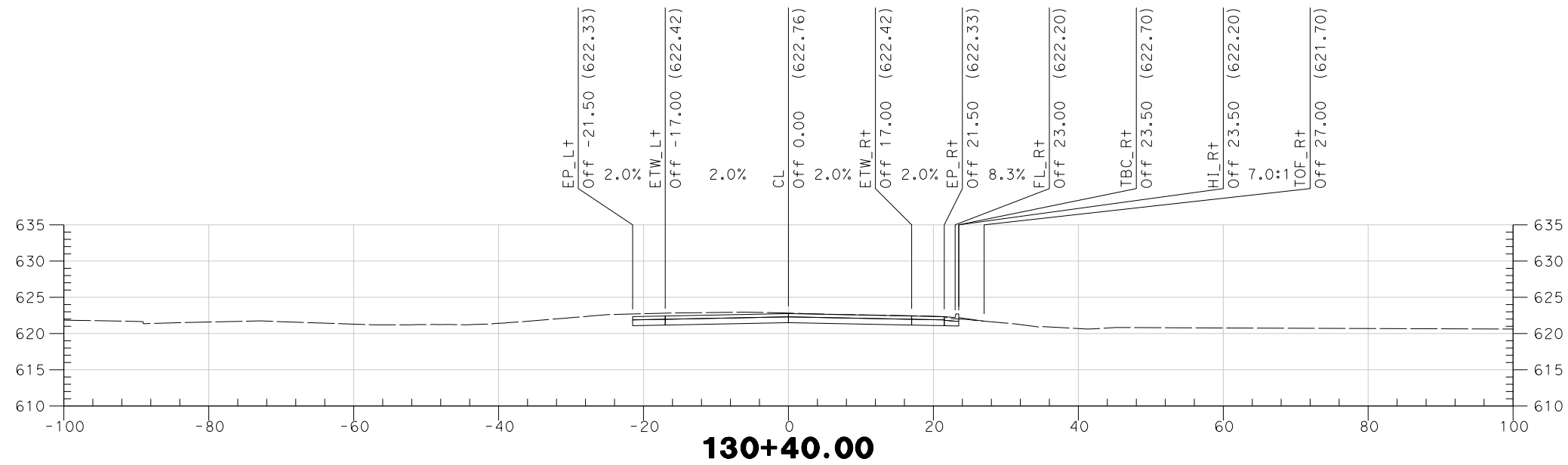
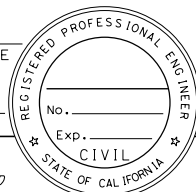


| | | | |
|--|-----------------------|------------------------|--------------|
| STATE OF CALIFORNIA - DEPARTMENT OF TRANSPORTATION | FUNCTIONAL SUPERVISOR | CALCULATED-DESIGNED BY | REVISOR |
| Caltrans | | CHECKED BY | DATE REVISOR |

| | | | | | |
|---|--------|--------|--------------------------|-----------|--------------|
| Dist | COUNTY | ROUTE | POST MILES TOTAL PROJECT | SHEET No. | TOTAL SHEETS |
| 01 | Men | CR 104 | | 1 | 20 |
| REGISTERED CIVIL ENGINEER | | | DATE | | |
| PLANS APPROVAL DATE | | | | | |
| THE STATE OF CALIFORNIA OR ITS OFFICERS OR AGENTS SHALL NOT BE RESPONSIBLE FOR THE ACCURACY OR COMPLETENESS OF SCANNED COPIES OF THIS PLAN SHEET. | | | | | |



Sta. 130+30 to Sta. 130+40

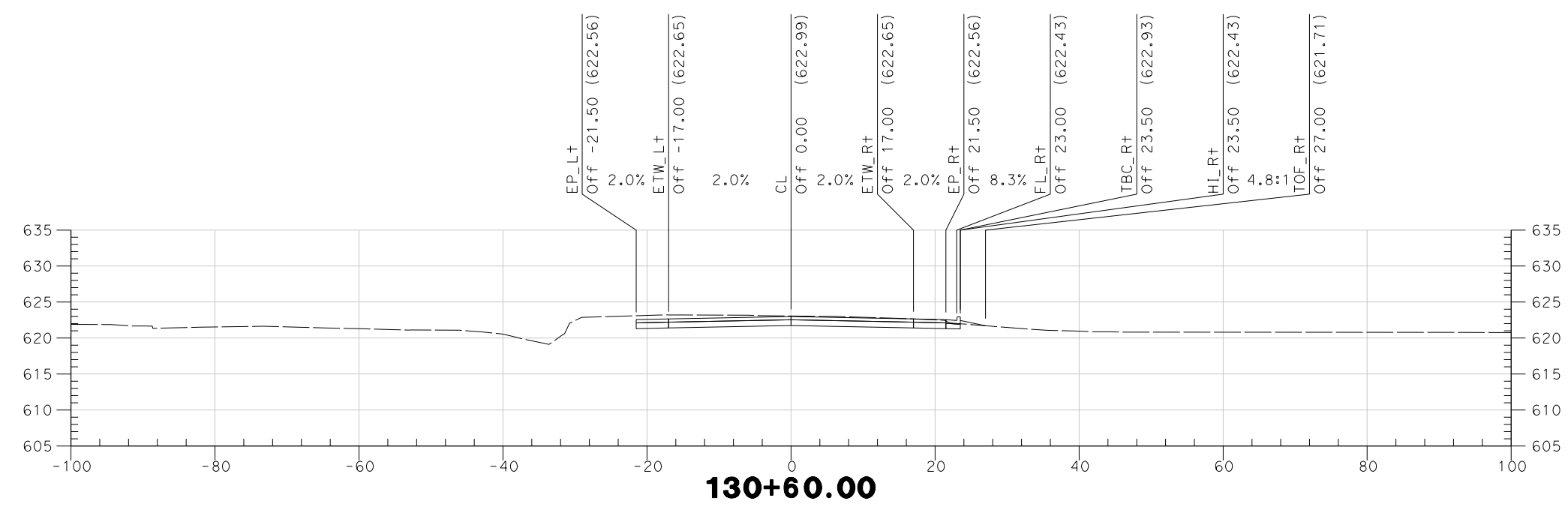
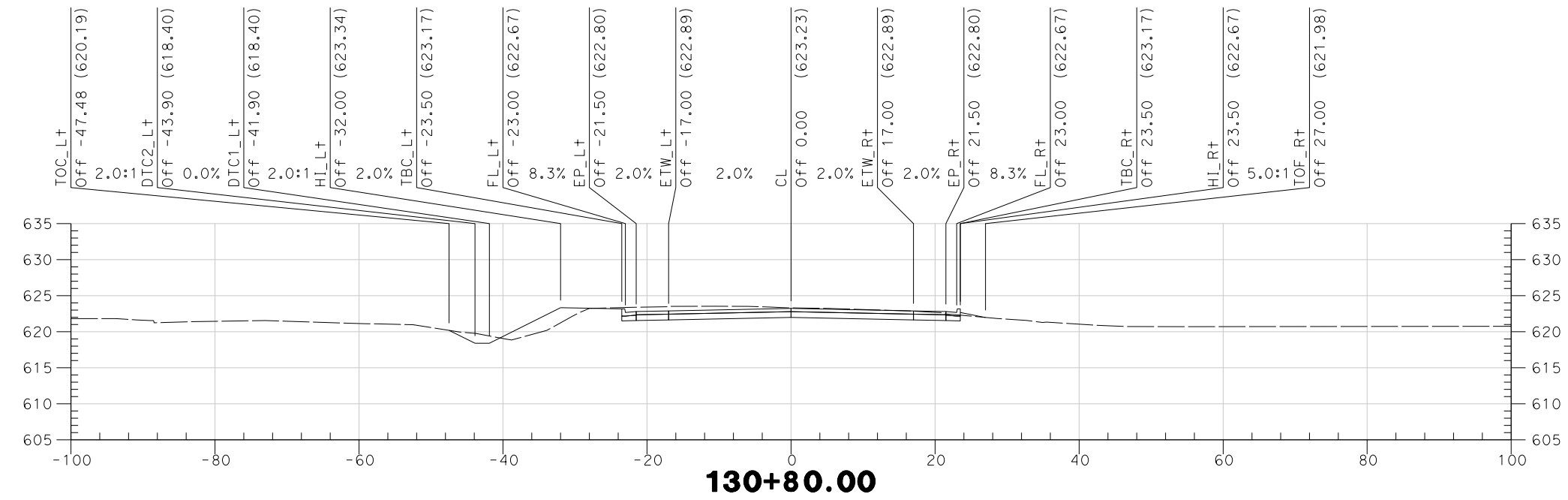
SOUTH XS-1

STATE OF CALIFORNIA - DEPARTMENT OF TRANSPORTATION
Caltrans
 FUNCTIONAL SUPERVISOR
 CALCULATED/DESIGNED BY
 CHECKED BY
 REVISED BY
 DATE REVISED

| | | | | | |
|------|--------|--------|--------------------------|-----------|--------------|
| Dist | COUNTY | ROUTE | POST MILES TOTAL PROJECT | SHEET No. | TOTAL SHEETS |
| 01 | Men | CR 104 | | 2 | 20 |

REGISTERED CIVIL ENGINEER DATE _____
 PLANS APPROVAL DATE _____

THE STATE OF CALIFORNIA OR ITS OFFICERS OR AGENTS SHALL NOT BE RESPONSIBLE FOR THE ACCURACY OR COMPLETENESS OF SCANNED COPIES OF THIS PLAN SHEET.

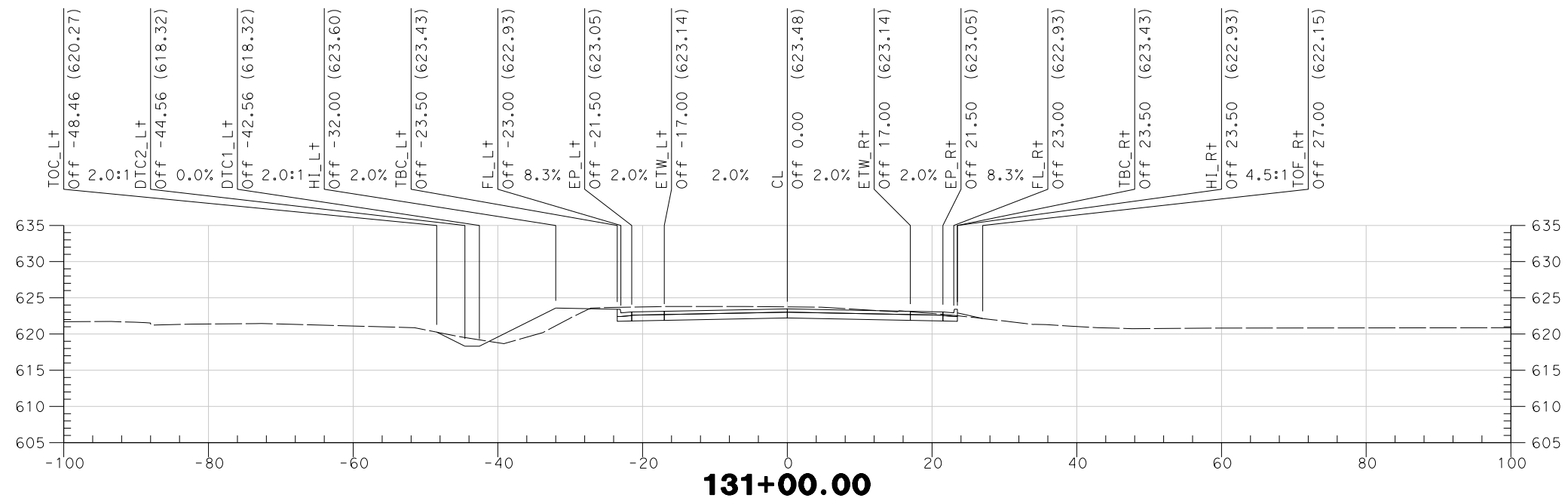
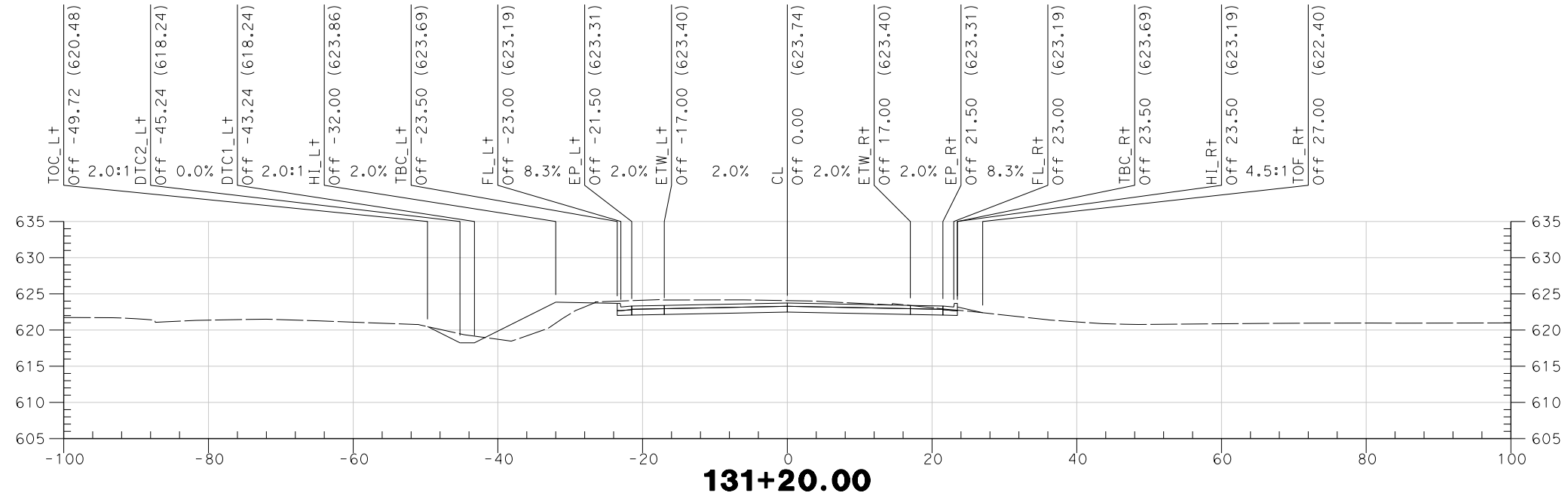


Sta. 130+60 to Sta. 130+80

SOUTH XS-2

LAST REVISION DATE PLOTTED => 3/15/2024
 00-00-00 TIME PLOTTED => 7:54:07 AM

| | | | | | |
|--|-----------------------|------------------------|------------|------|-----------|
| STATE OF CALIFORNIA - DEPARTMENT OF TRANSPORTATION | FUNCTIONAL SUPERVISOR | CALCULATED/DESIGNED BY | REVISOR BY | DATE | REVISIONS |
| | | | | | |



| | | | | | |
|------|--------|--------|--------------------------|-----------|--------------|
| Dist | COUNTY | ROUTE | POST MILES TOTAL PROJECT | SHEET No. | TOTAL SHEETS |
| 01 | Men | CR 104 | | 3 | 20 |

REGISTERED CIVIL ENGINEER DATE _____

PLANS APPROVAL DATE _____

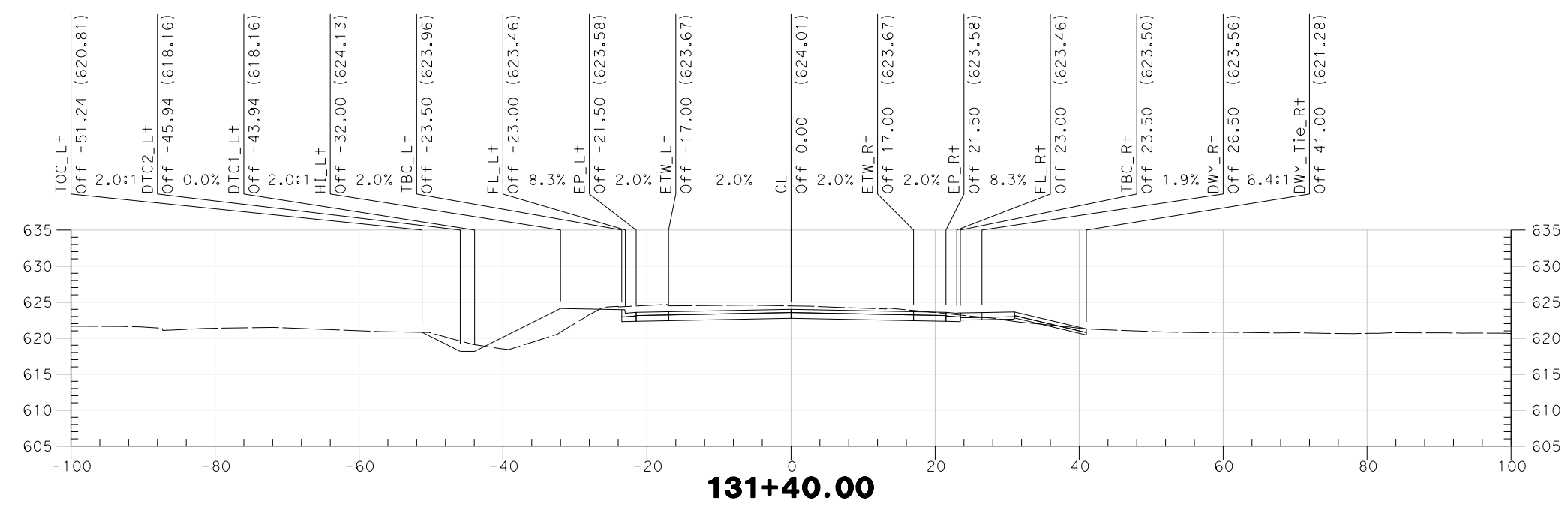
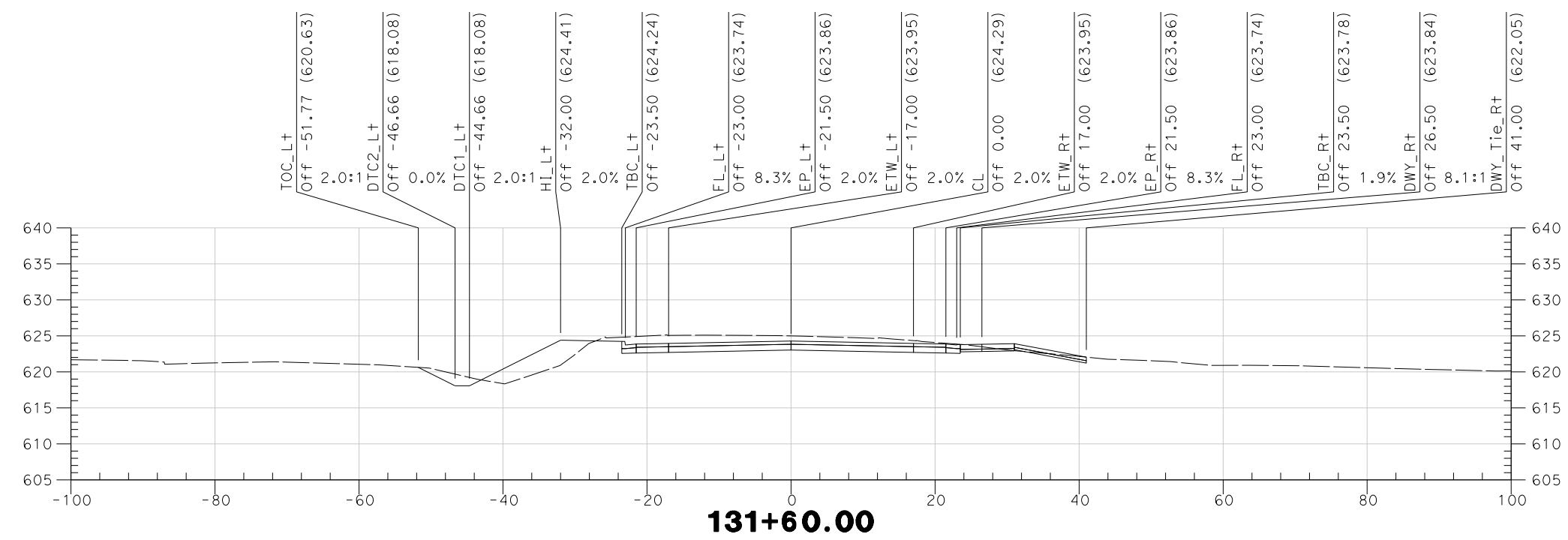
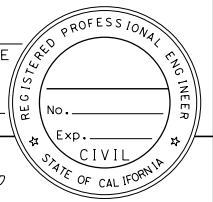
THE STATE OF CALIFORNIA OR ITS OFFICERS OR AGENTS SHALL NOT BE RESPONSIBLE FOR THE ACCURACY OR COMPLETENESS OF SCANNED COPIES OF THIS PLAN SHEET.

Sta. 131+00 to Sta. 131+20

SOUTH XS-3

| | | | |
|--|-----------------------|------------------------|---------------|
| STATE OF CALIFORNIA - DEPARTMENT OF TRANSPORTATION | FUNCTIONAL SUPERVISOR | CALCULATED/DESIGNED BY | REVISOR |
| Caltrans | | CHECKED BY | DATE REVISION |

| | | | | | |
|--|--------|--------|--------------------------|-----------|--------------|
| Dist | COUNTY | ROUTE | POST MILES TOTAL PROJECT | SHEET No. | TOTAL SHEETS |
| 01 | Men | CR 104 | | 4 | 20 |
| REGISTERED CIVIL ENGINEER | | | DATE | | |
| PLANS APPROVAL DATE | | | | | |
| <small>THE STATE OF CALIFORNIA OR ITS OFFICERS OR AGENTS SHALL NOT BE RESPONSIBLE FOR THE ACCURACY OR COMPLETENESS OF SCANNED COPIES OF THIS PLAN SHEET.</small> | | | | | |



Sta. 131+40 to Sta. 131+60

SOUTH XS-4

LAST REVISION DATE PLOTTED => 3/15/2024 TIME PLOTTED => 7:54:42 AM

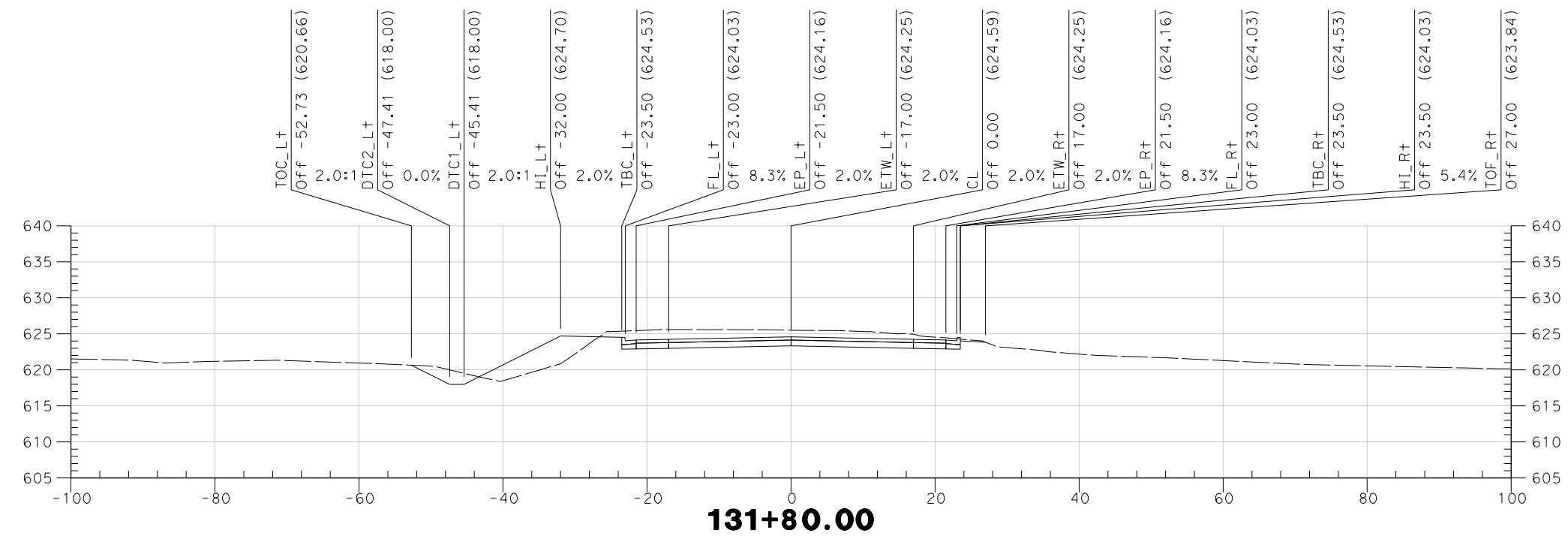
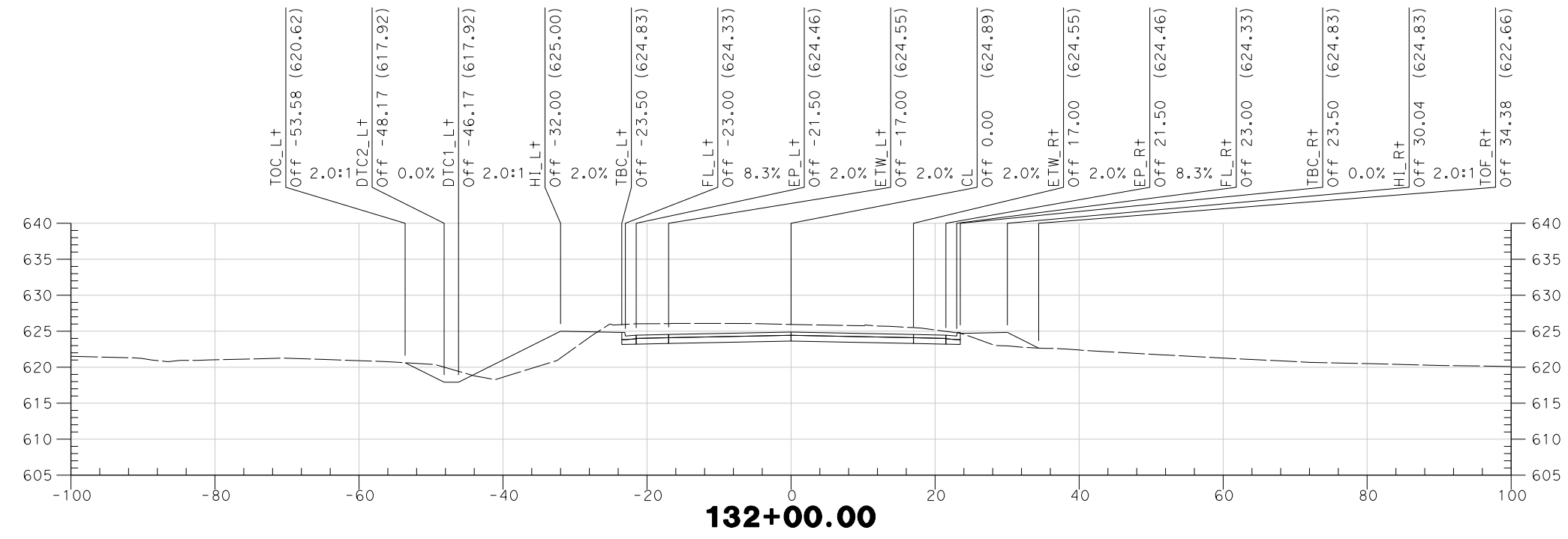
STATE OF CALIFORNIA - DEPARTMENT OF TRANSPORTATION
Caltrans
 FUNCTIONAL SUPERVISOR
 CALCULATED/DESIGNED BY
 CHECKED BY
 REVISED BY
 DATE REVISED

| | | | | | |
|------|--------|--------|--------------------------|-----------|--------------|
| Dist | COUNTY | ROUTE | POST MILES TOTAL PROJECT | SHEET No. | TOTAL SHEETS |
| 01 | Men | CR 104 | | 5 | 20 |

REGISTERED CIVIL ENGINEER DATE _____

PLANS APPROVAL DATE _____

THE STATE OF CALIFORNIA OR ITS OFFICERS OR AGENTS SHALL NOT BE RESPONSIBLE FOR THE ACCURACY OR COMPLETENESS OF SCANNED COPIES OF THIS PLAN SHEET.



Sta. 131+80 to Sta. 132+00

SOUTH XS-5

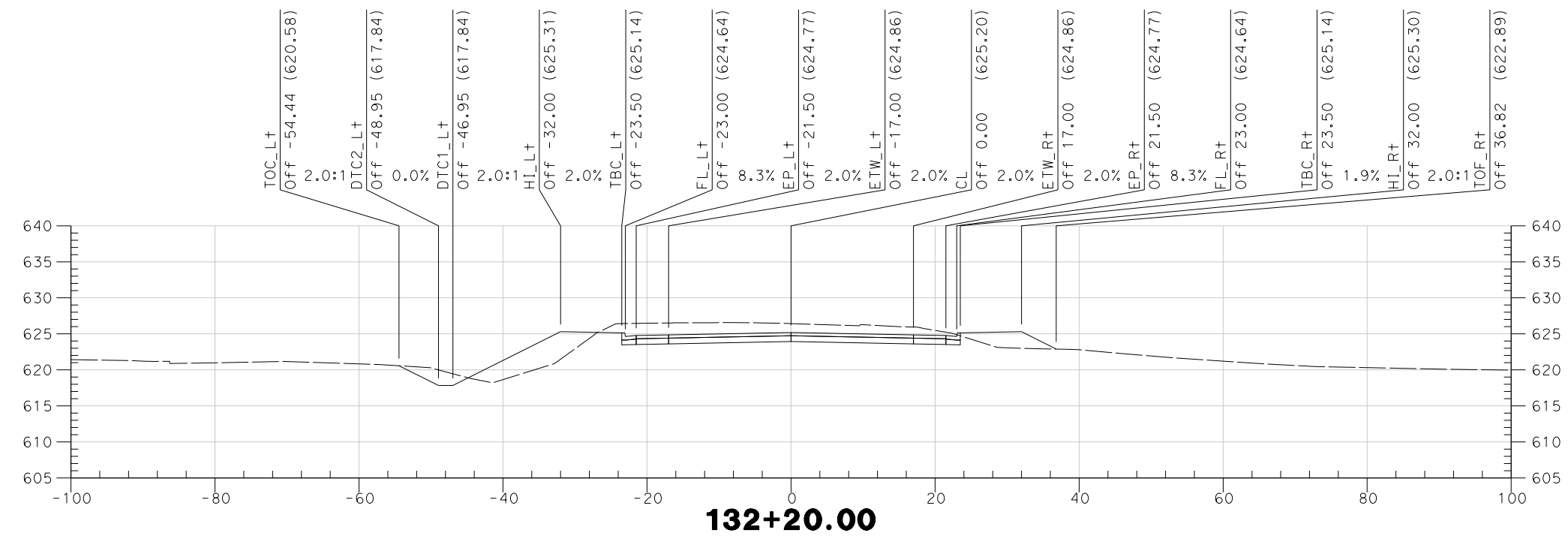
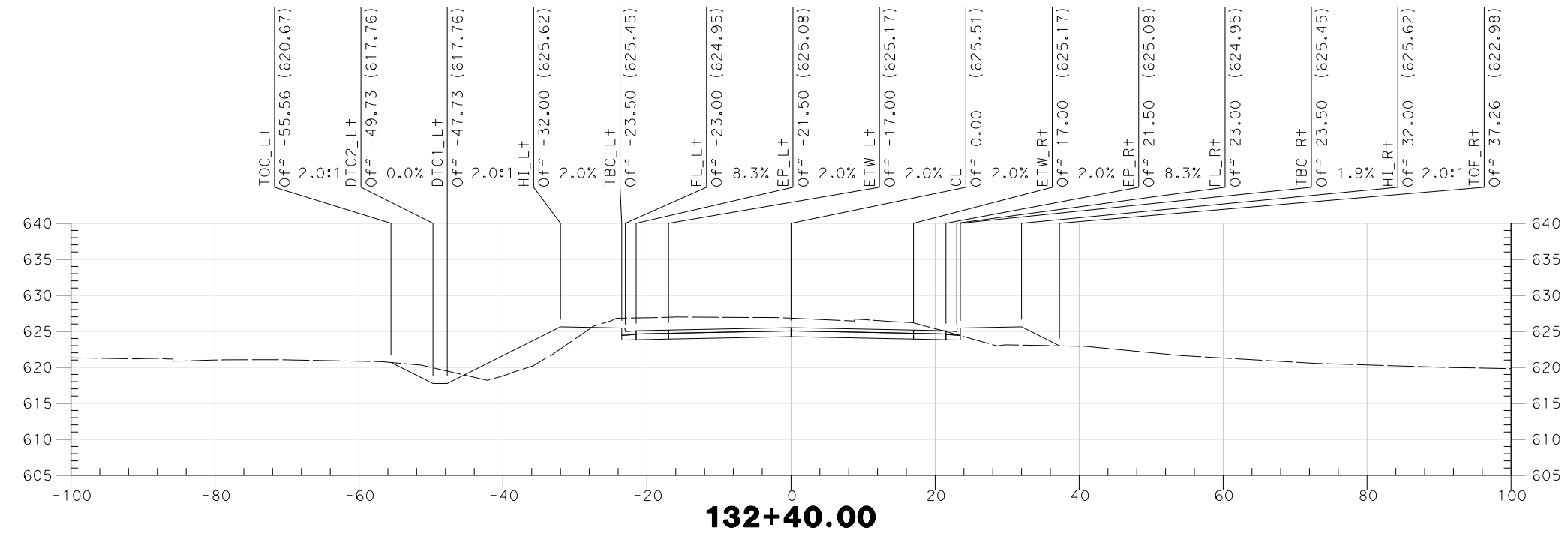
STATE OF CALIFORNIA - DEPARTMENT OF TRANSPORTATION
Caltrans
 FUNCTIONAL SUPERVISOR
 CALCULATED/DESIGNED BY
 CHECKED BY
 REVISED BY
 DATE REVISED

| | | | | | |
|------|--------|--------|--------------------------|-----------|--------------|
| Dist | COUNTY | ROUTE | POST MILES TOTAL PROJECT | SHEET No. | TOTAL SHEETS |
| 01 | Men | CR 104 | | 6 | 20 |

REGISTERED CIVIL ENGINEER DATE _____

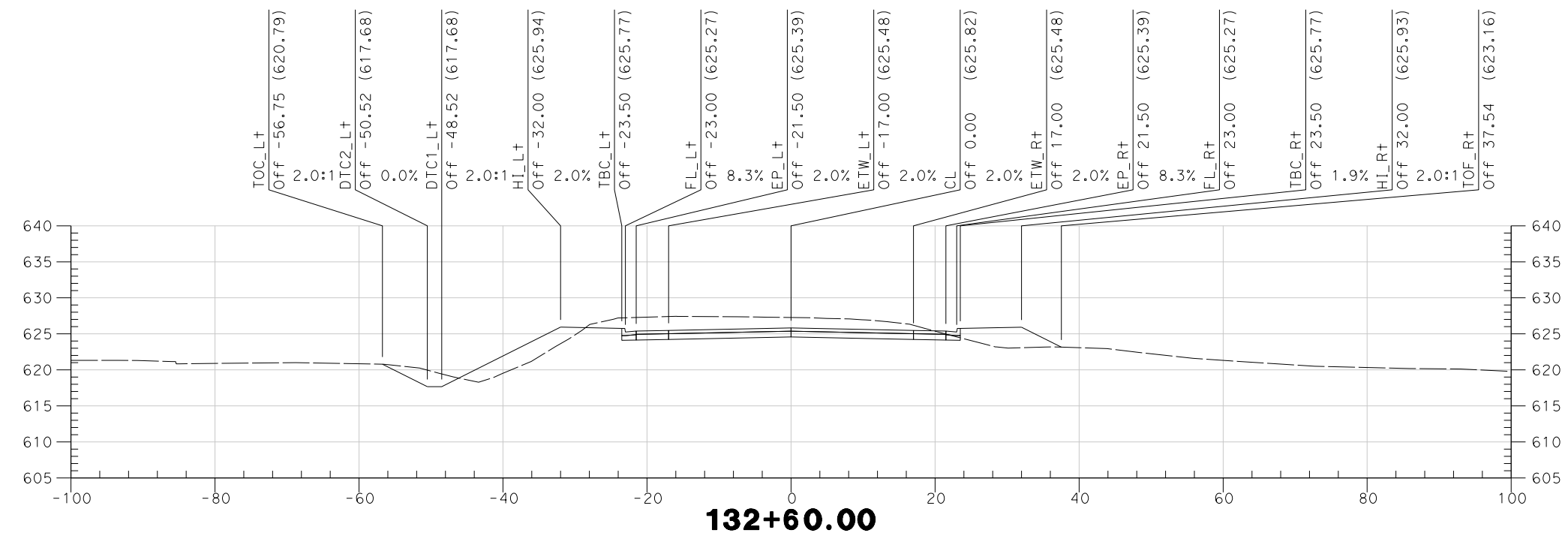
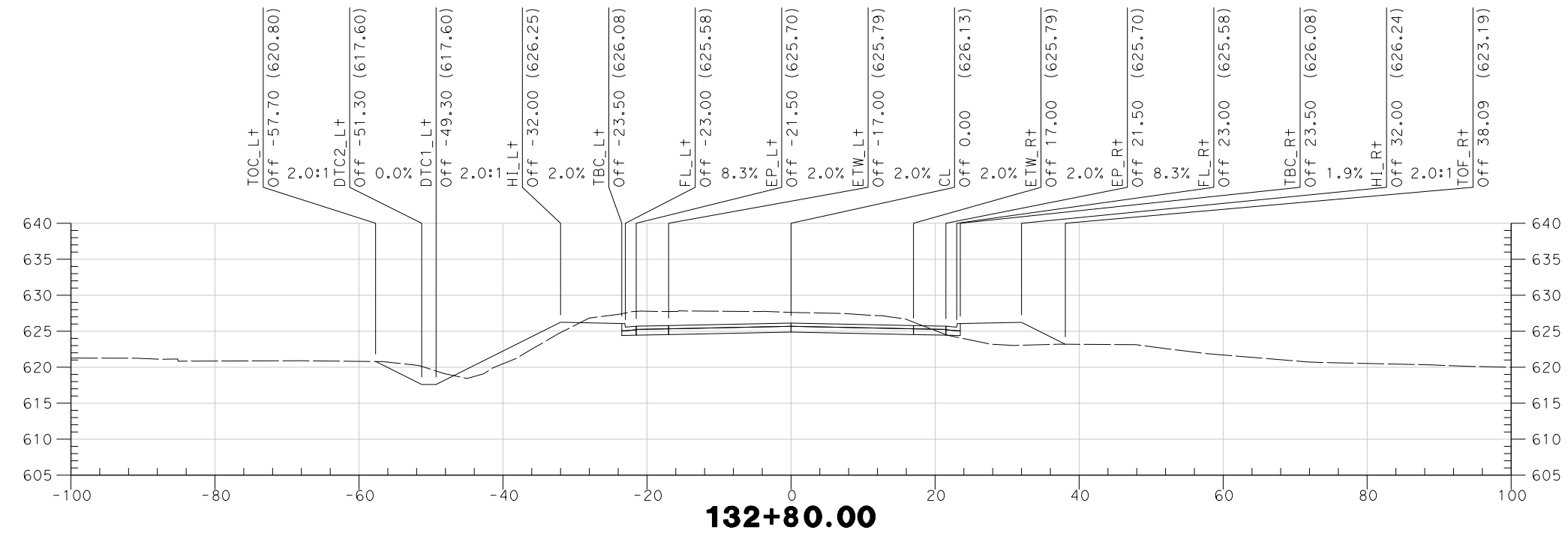
PLANS APPROVAL DATE _____

THE STATE OF CALIFORNIA OR ITS OFFICERS OR AGENTS SHALL NOT BE RESPONSIBLE FOR THE ACCURACY OR COMPLETENESS OF SCANNED COPIES OF THIS PLAN SHEET.



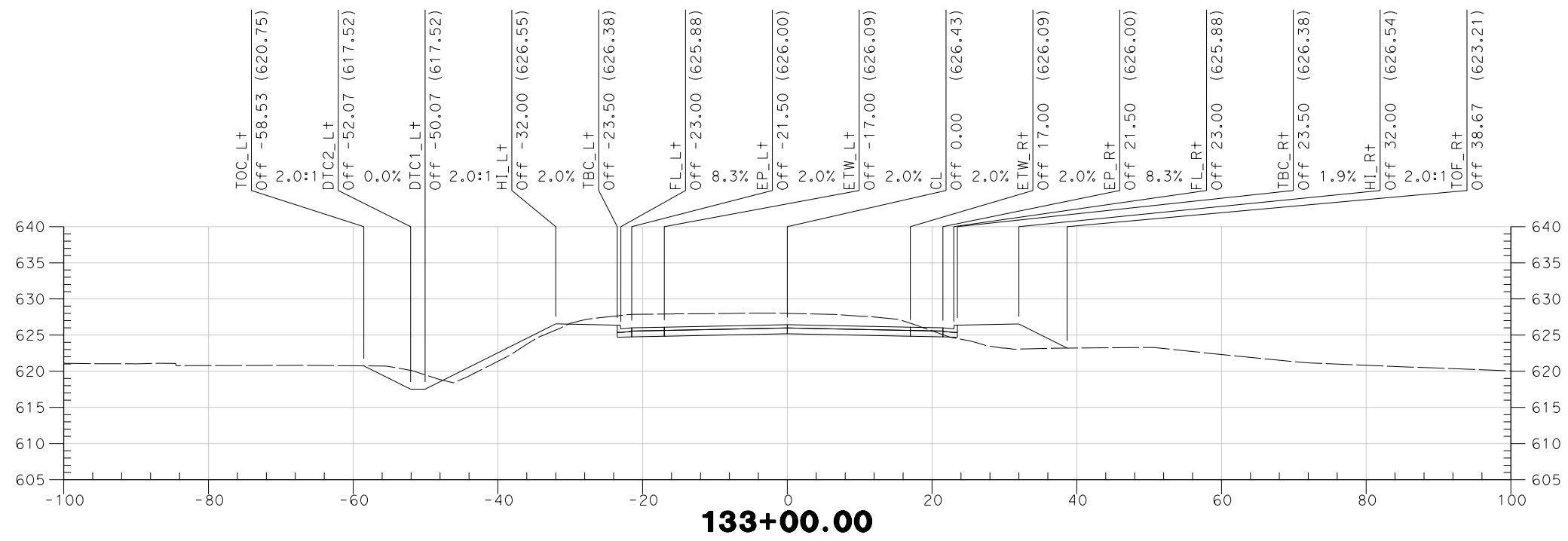
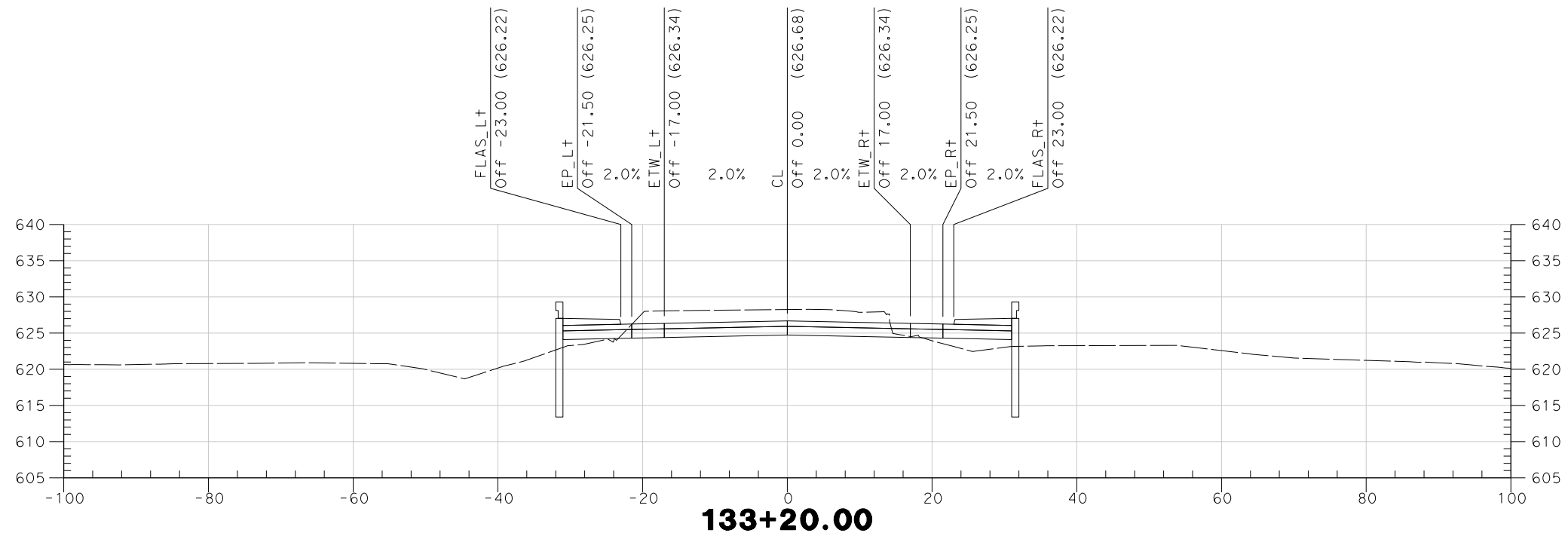
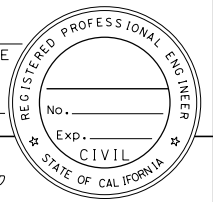
Sta. 132+20 to Sta. 132+40

SOUTH XS-6



Sta. 132+60 to Sta. 132+80

SOUTH XS-7



Sta. 133+00 to Sta. 133+20

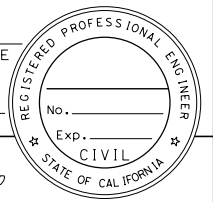
SOUTH XS-8

| | | | | | |
|------|--------|--------|-----------------------------|--------------|-----------------|
| Dist | COUNTY | ROUTE | POST MILES TOTAL PROJECT | SHEET No. | TOTAL SHEETS |
| 01 | Men | CR 104 | | 9 | 20 |

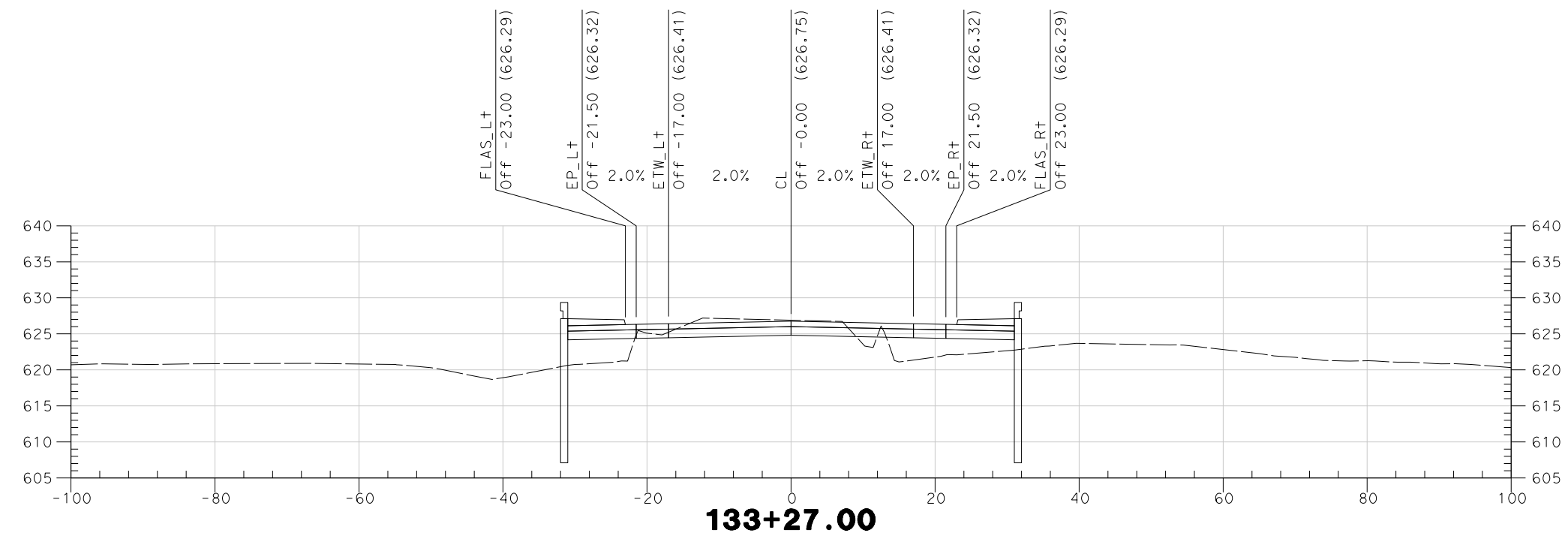
REGISTERED CIVIL ENGINEER DATE _____

PLANS APPROVAL DATE _____

THE STATE OF CALIFORNIA OR ITS OFFICERS OR AGENTS SHALL NOT BE RESPONSIBLE FOR THE ACCURACY OR COMPLETENESS OF SCANNED COPIES OF THIS PLAN SHEET.



| | | | |
|--|-----------------------|------------------------|--------------|
| STATE OF CALIFORNIA - DEPARTMENT OF TRANSPORTATION | FUNCTIONAL SUPERVISOR | CALCULATED/DESIGNED BY | REVISOR |
| Caltrans | | CHECKED BY | DATE REVISOR |



Sta. 133+27 to Sta. 133+27

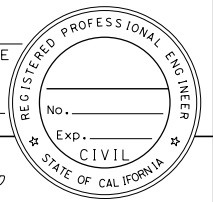
SOUTH XS-9

| Dist | COUNTY | ROUTE | POST MILES TOTAL PROJECT | SHEET No. | TOTAL SHEETS |
|------|--------|--------|--------------------------|-----------|--------------|
| 01 | Men | CR 104 | | 10 | 20 |

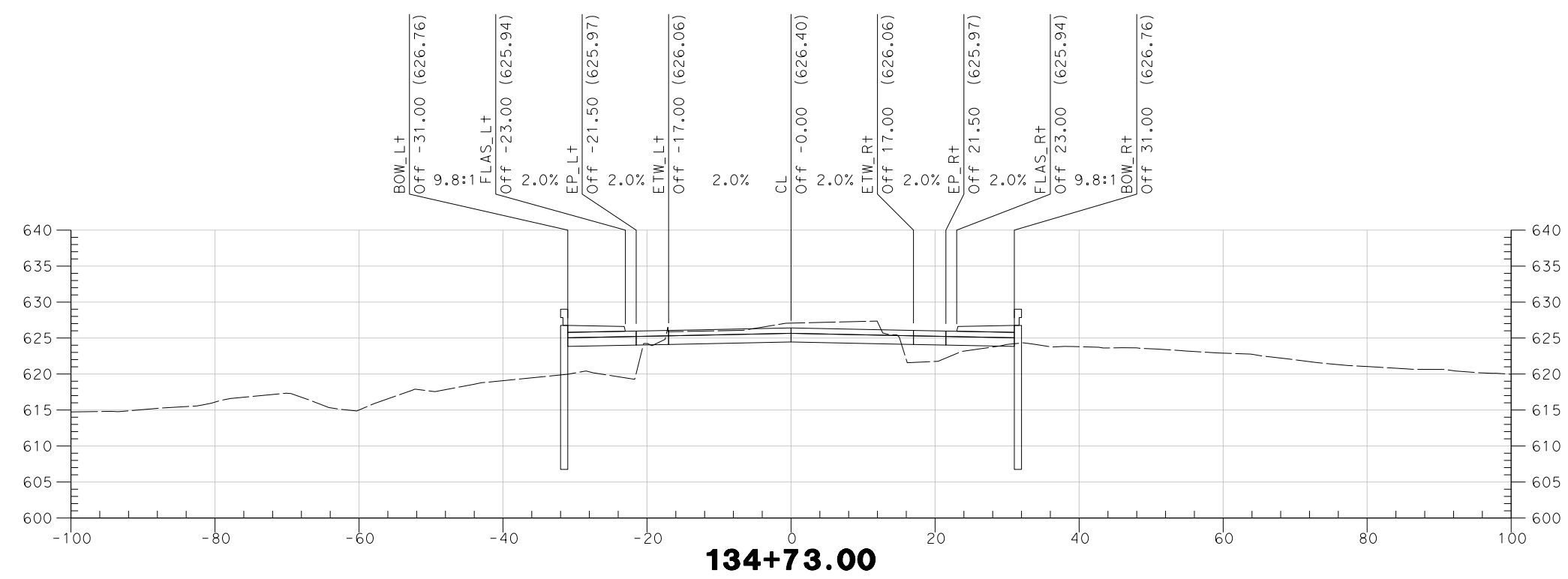
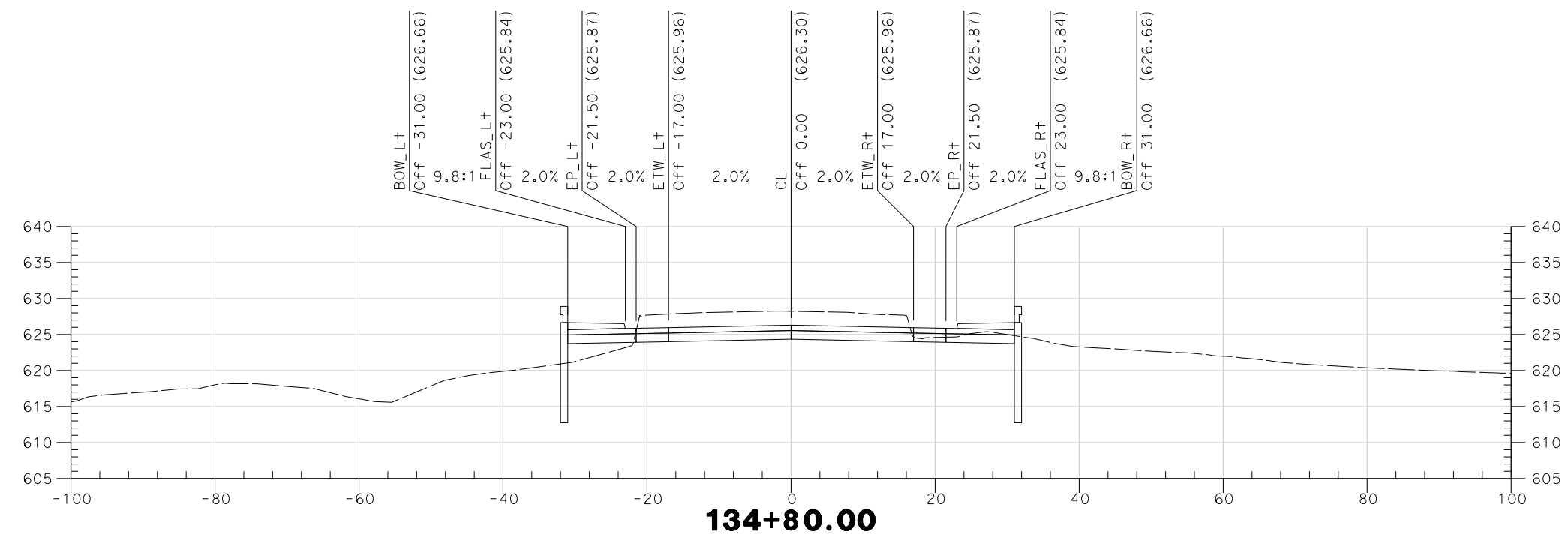
REGISTERED CIVIL ENGINEER DATE _____

PLANS APPROVAL DATE _____

THE STATE OF CALIFORNIA OR ITS OFFICERS OR AGENTS SHALL NOT BE RESPONSIBLE FOR THE ACCURACY OR COMPLETENESS OF SCANNED COPIES OF THIS PLAN SHEET.



| | | | |
|--|-----------------------|------------------------|--------------|
| STATE OF CALIFORNIA - DEPARTMENT OF TRANSPORTATION | FUNCTIONAL SUPERVISOR | CALCULATED/DESIGNED BY | REVISOR BY |
| Caltrans | | CHECKED BY | DATE REVISED |



Sta. 134+73 to Sta. 134+80

NORTH XS-10

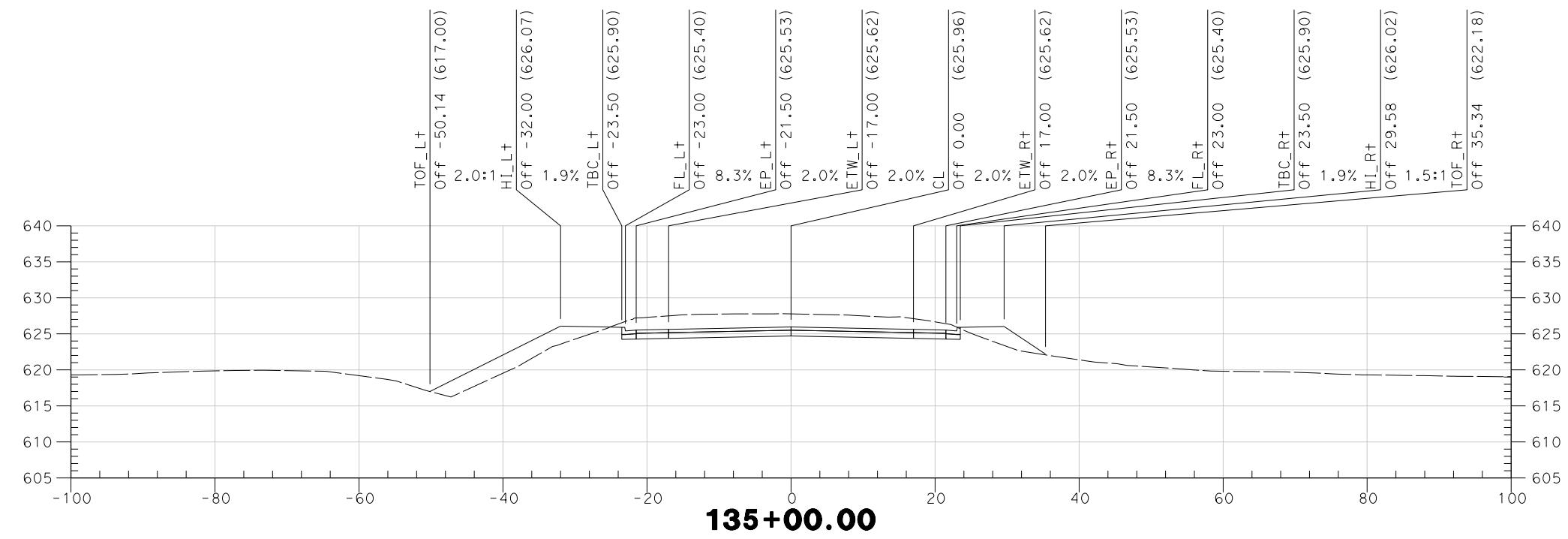
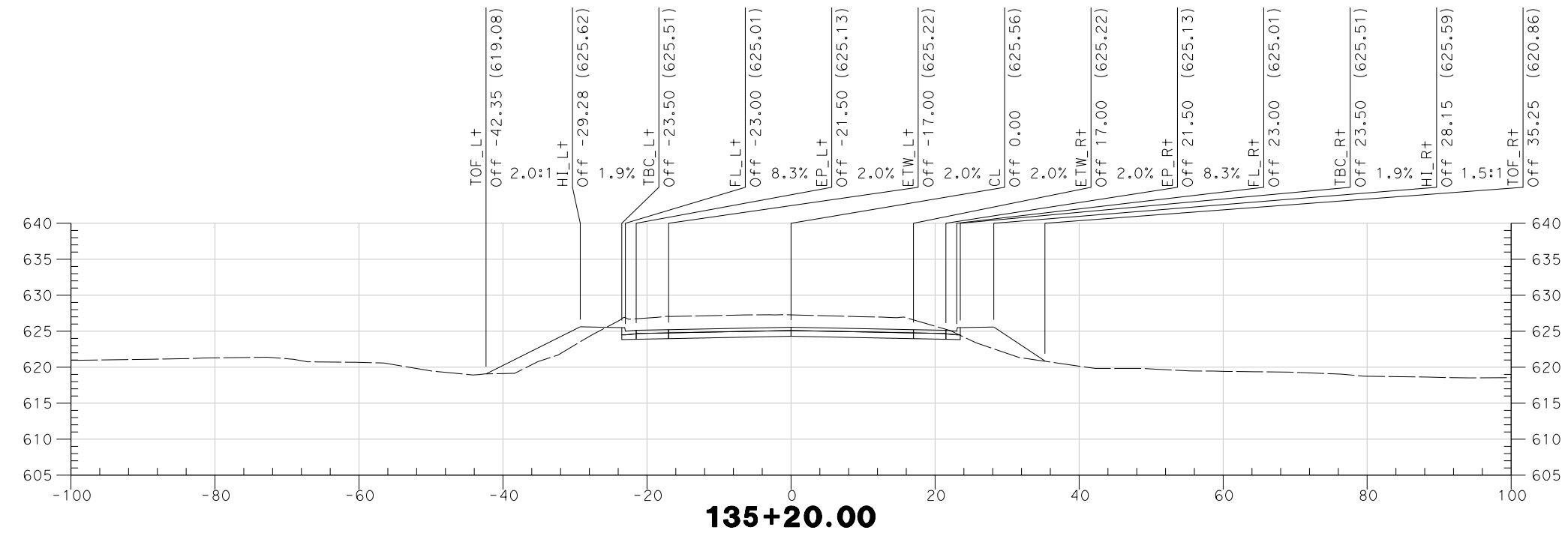
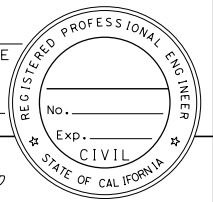
STATE OF CALIFORNIA - DEPARTMENT OF TRANSPORTATION
Caltrans
 FUNCTIONAL SUPERVISOR
 CALCULATED/DESIGNED BY
 CHECKED BY
 REVISED BY
 DATE REVISED

| | | | | | |
|------|--------|--------|--------------------------|-----------|--------------|
| Dist | COUNTY | ROUTE | POST MILES TOTAL PROJECT | SHEET No. | TOTAL SHEETS |
| 01 | Men | CR 104 | | 11 | 20 |

REGISTERED CIVIL ENGINEER DATE _____

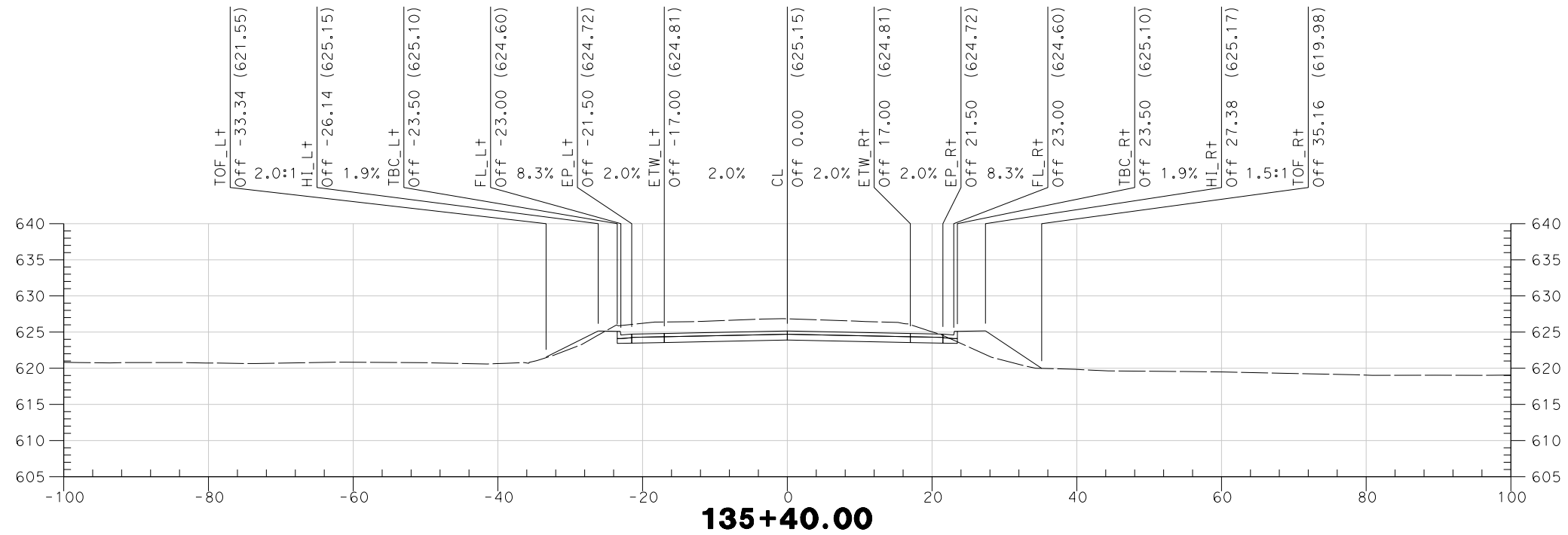
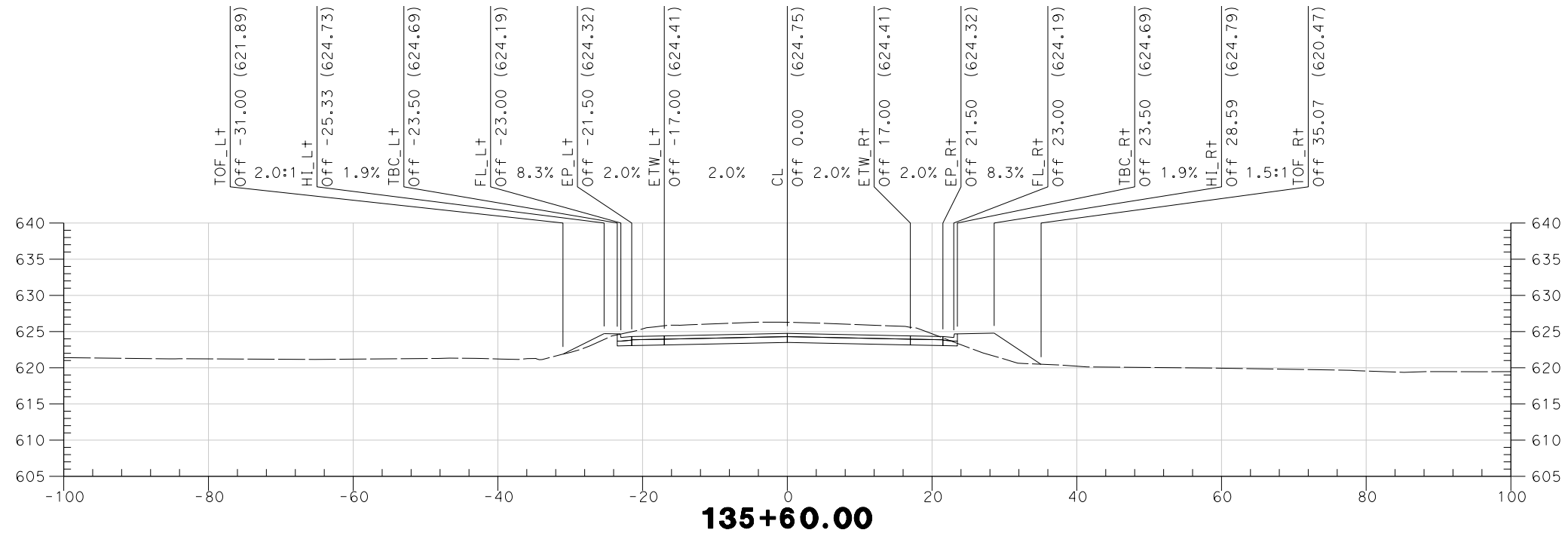
PLANS APPROVAL DATE _____

THE STATE OF CALIFORNIA OR ITS OFFICERS OR AGENTS SHALL NOT BE RESPONSIBLE FOR THE ACCURACY OR COMPLETENESS OF SCANNED COPIES OF THIS PLAN SHEET.



Sta. 135+00 to Sta. 135+20

NORTH XS-11



Sta. 135+40 to Sta. 135+60

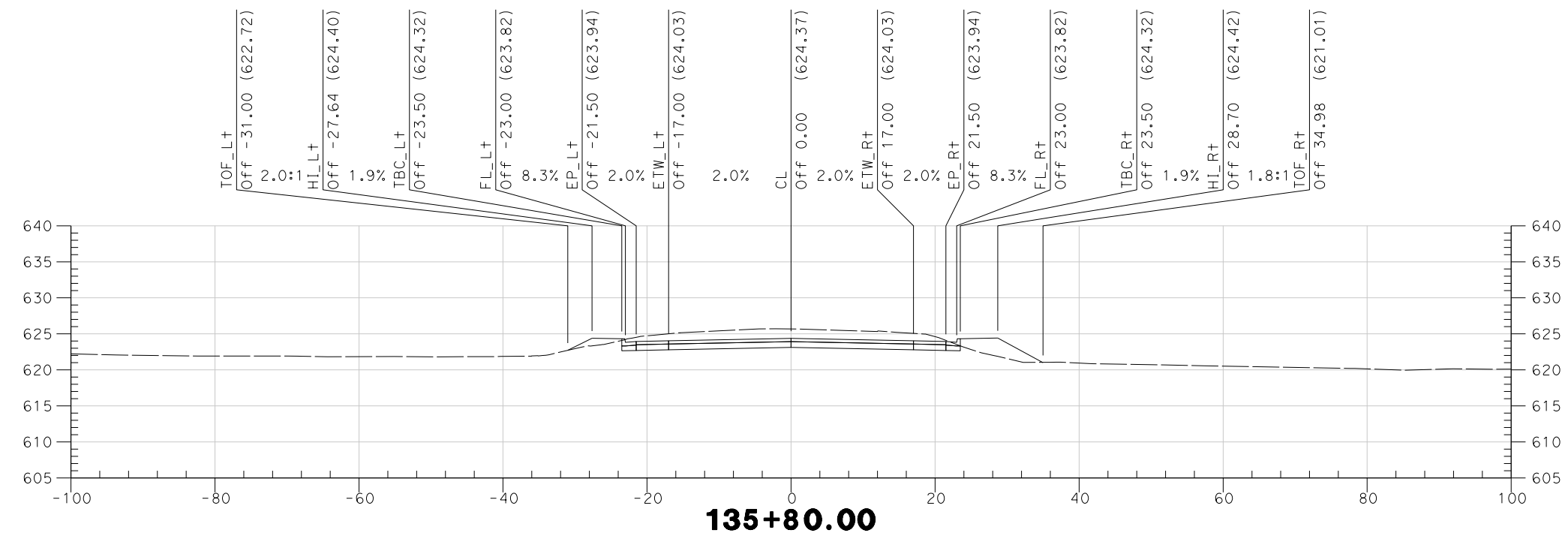
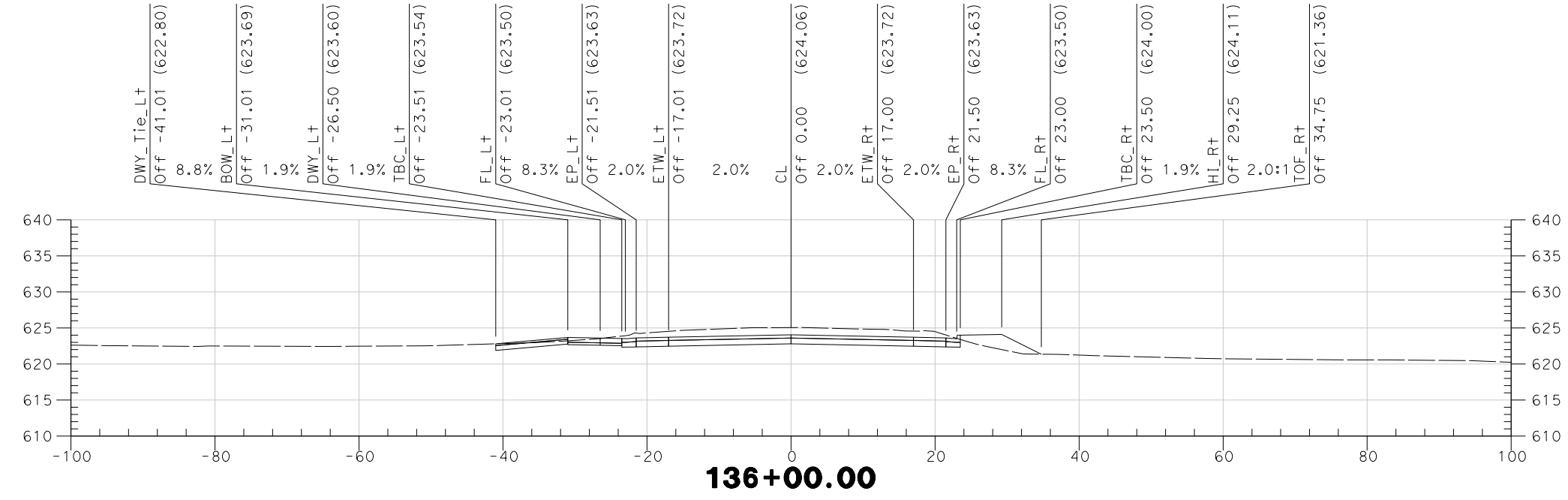
NORTH XS-12

STATE OF CALIFORNIA - DEPARTMENT OF TRANSPORTATION
Caltrans
 FUNCTIONAL SUPERVISOR
 CALCULATED/DESIGNED BY
 CHECKED BY
 REVISED BY
 DATE REVISED

| | | | | | |
|------|--------|--------|--------------------------|-----------|--------------|
| Dist | COUNTY | ROUTE | POST MILES TOTAL PROJECT | SHEET No. | TOTAL SHEETS |
| 01 | Men | CR 104 | | 13 | 20 |

REGISTERED CIVIL ENGINEER DATE _____
 PLANS APPROVAL DATE _____

THE STATE OF CALIFORNIA OR ITS OFFICERS OR AGENTS SHALL NOT BE RESPONSIBLE FOR THE ACCURACY OR COMPLETENESS OF SCANNED COPIES OF THIS PLAN SHEET.



Sta. 135+80 to Sta. 136+00

NORTH XS-13

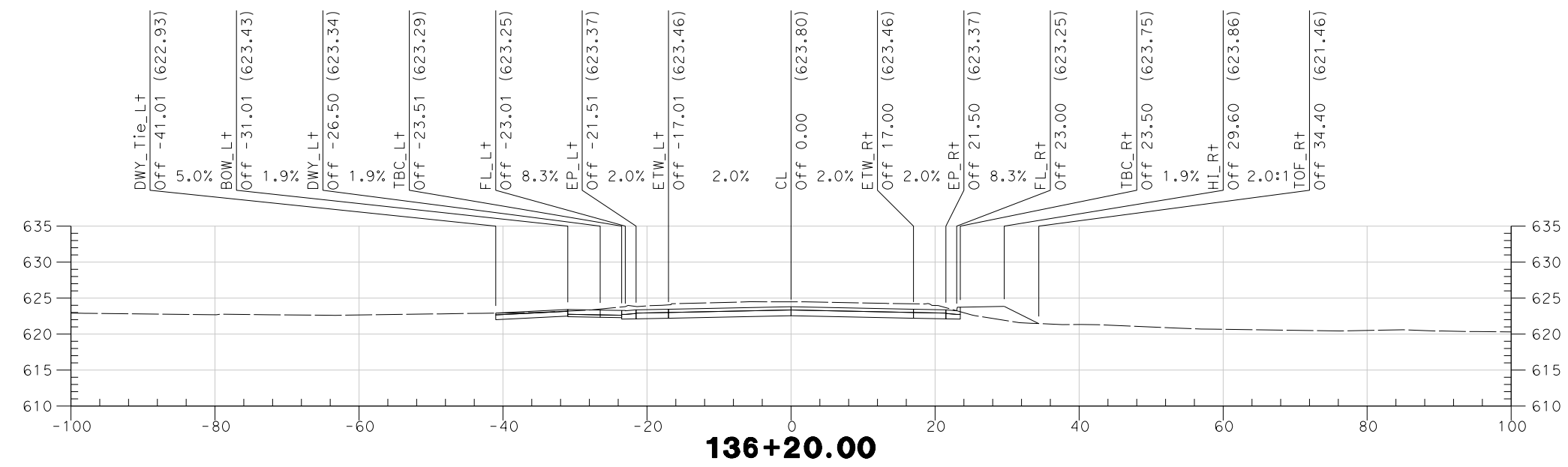
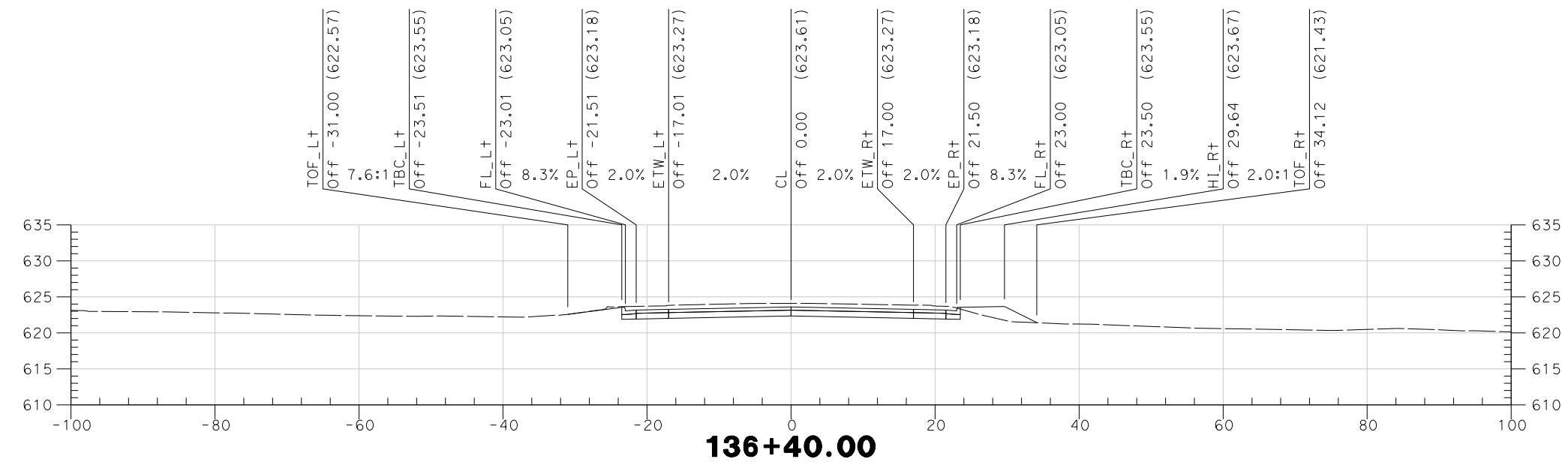
STATE OF CALIFORNIA - DEPARTMENT OF TRANSPORTATION
Caltrans
 FUNCTIONAL SUPERVISOR
 CALCULATED/DESIGNED BY
 CHECKED BY
 REVISED BY
 DATE REVISED

| | | | | | |
|------|--------|--------|--------------------------|-----------|--------------|
| Dist | COUNTY | ROUTE | POST MILES TOTAL PROJECT | SHEET No. | TOTAL SHEETS |
| 01 | Men | CR 104 | | 14 | 20 |

REGISTERED CIVIL ENGINEER DATE _____

PLANS APPROVAL DATE _____

THE STATE OF CALIFORNIA OR ITS OFFICERS OR AGENTS SHALL NOT BE RESPONSIBLE FOR THE ACCURACY OR COMPLETENESS OF SCANNED COPIES OF THIS PLAN SHEET.

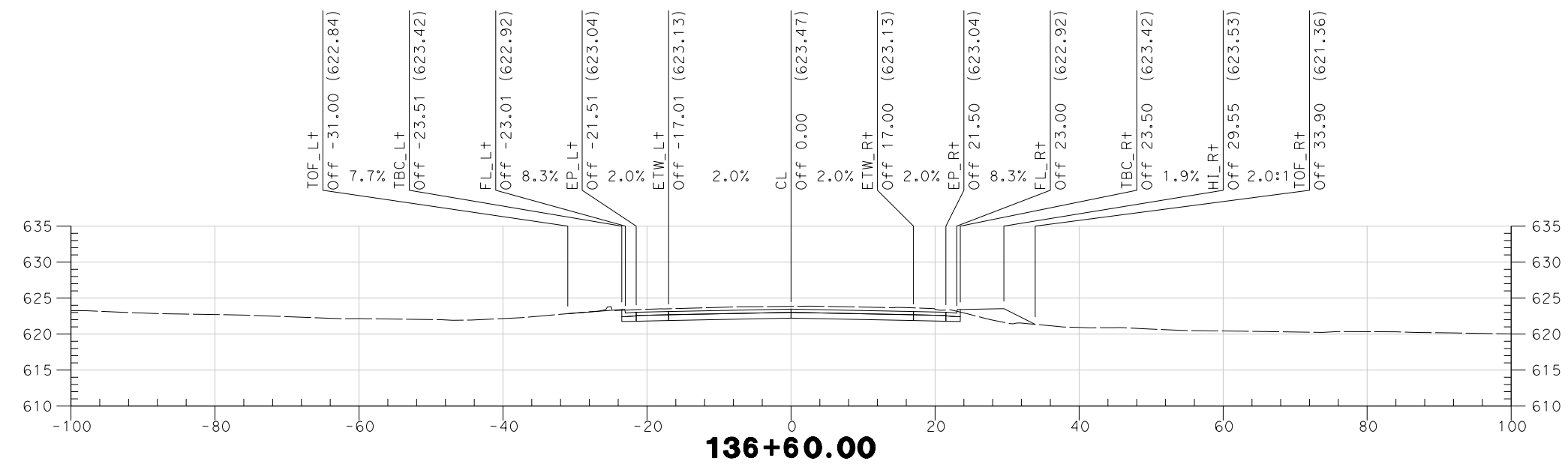
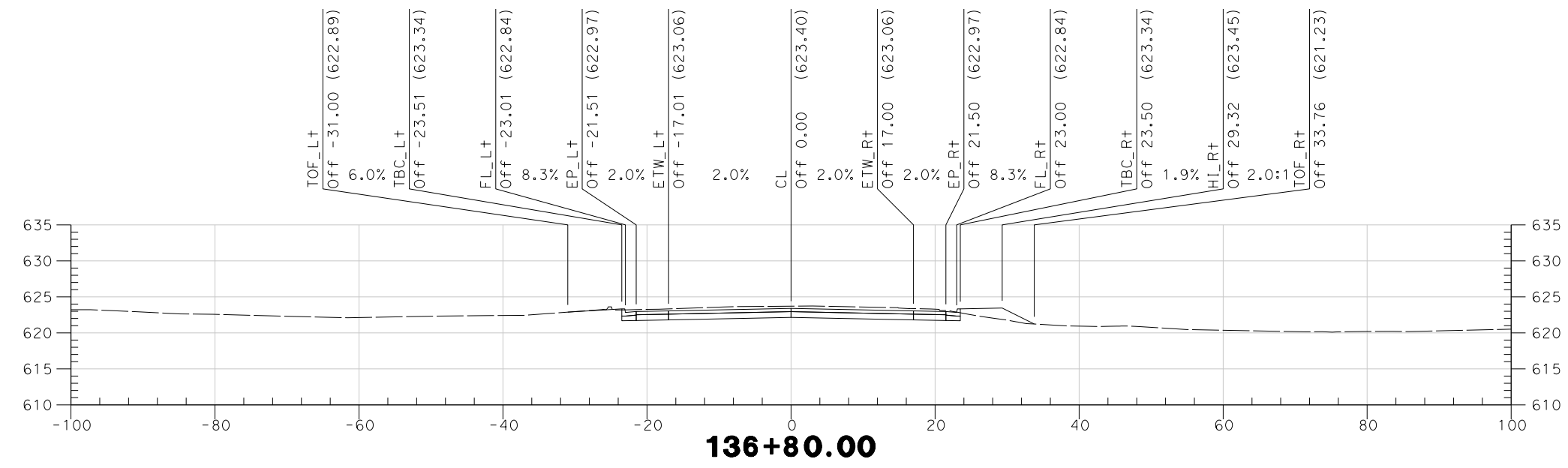
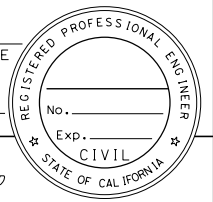


Sta. 136+20 to Sta. 136+40

NORTH XS-14

| | | | |
|--|-----------------------|------------------------|--------------|
| STATE OF CALIFORNIA - DEPARTMENT OF TRANSPORTATION | FUNCTIONAL SUPERVISOR | CALCULATED/DESIGNED BY | REVISOR BY |
| Caltrans | | CHECKED BY | DATE REVISED |

| | | | | | |
|--|--------|--------|--------------------------|-----------|--------------|
| Dist | COUNTY | ROUTE | POST MILES TOTAL PROJECT | SHEET No. | TOTAL SHEETS |
| 01 | Men | CR 104 | | 15 | 20 |
| REGISTERED CIVIL ENGINEER | | | DATE | | |
| PLANS APPROVAL DATE | | | | | |
| <small>THE STATE OF CALIFORNIA OR ITS OFFICERS OR AGENTS SHALL NOT BE RESPONSIBLE FOR THE ACCURACY OR COMPLETENESS OF SCANNED COPIES OF THIS PLAN SHEET.</small> | | | | | |



Sta. 136+60 to Sta. 136+80

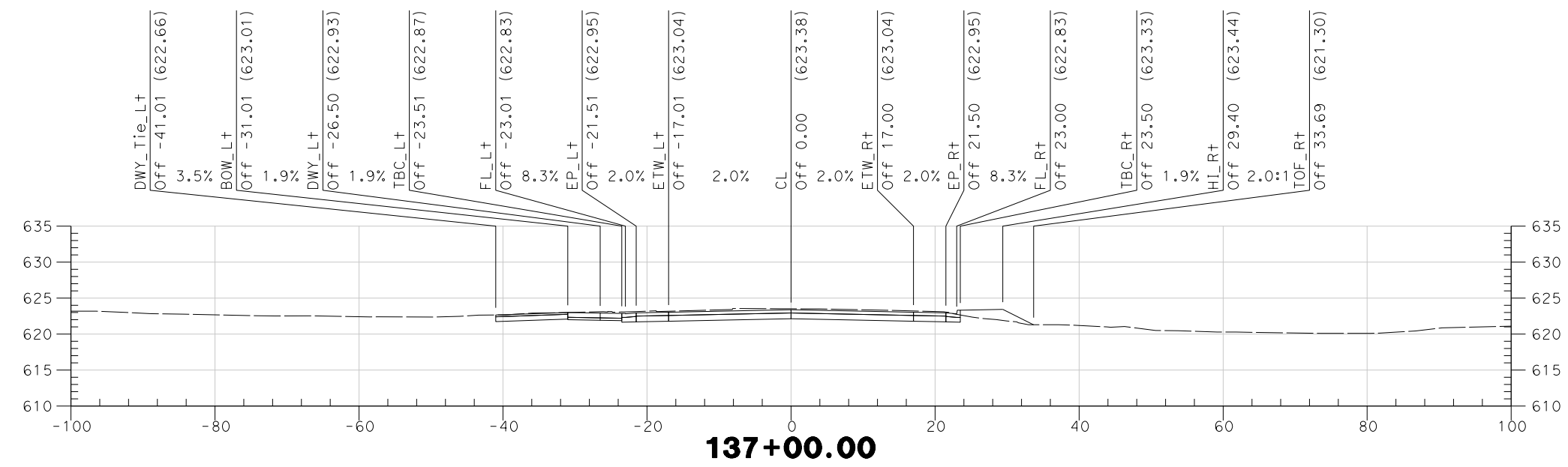
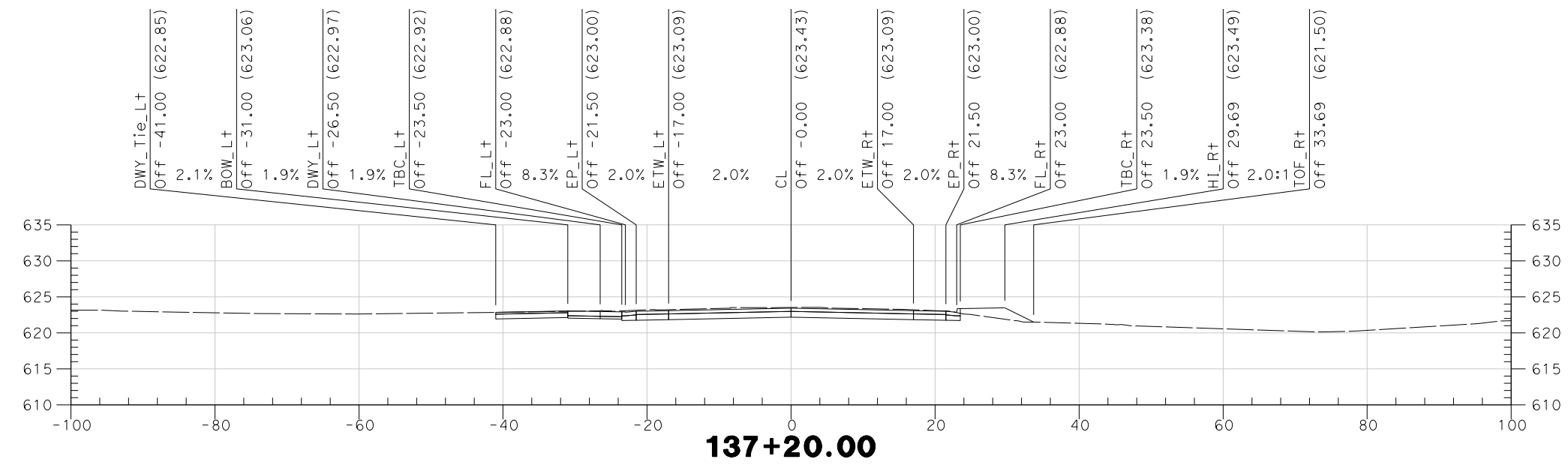
NORTH
XS-15

STATE OF CALIFORNIA - DEPARTMENT OF TRANSPORTATION
Caltrans
 FUNCTIONAL SUPERVISOR
 CALCULATED/DESIGNED BY
 CHECKED BY
 REVISED BY
 DATE REVISED

| | | | | | |
|------|--------|--------|--------------------------|-----------|--------------|
| Dist | COUNTY | ROUTE | POST MILES TOTAL PROJECT | SHEET No. | TOTAL SHEETS |
| 01 | Men | CR 104 | | 16 | 20 |

REGISTERED CIVIL ENGINEER DATE _____
 PLANS APPROVAL DATE _____

THE STATE OF CALIFORNIA OR ITS OFFICERS OR AGENTS SHALL NOT BE RESPONSIBLE FOR THE ACCURACY OR COMPLETENESS OF SCANNED COPIES OF THIS PLAN SHEET.



Sta. 137+00 to Sta. 137+20

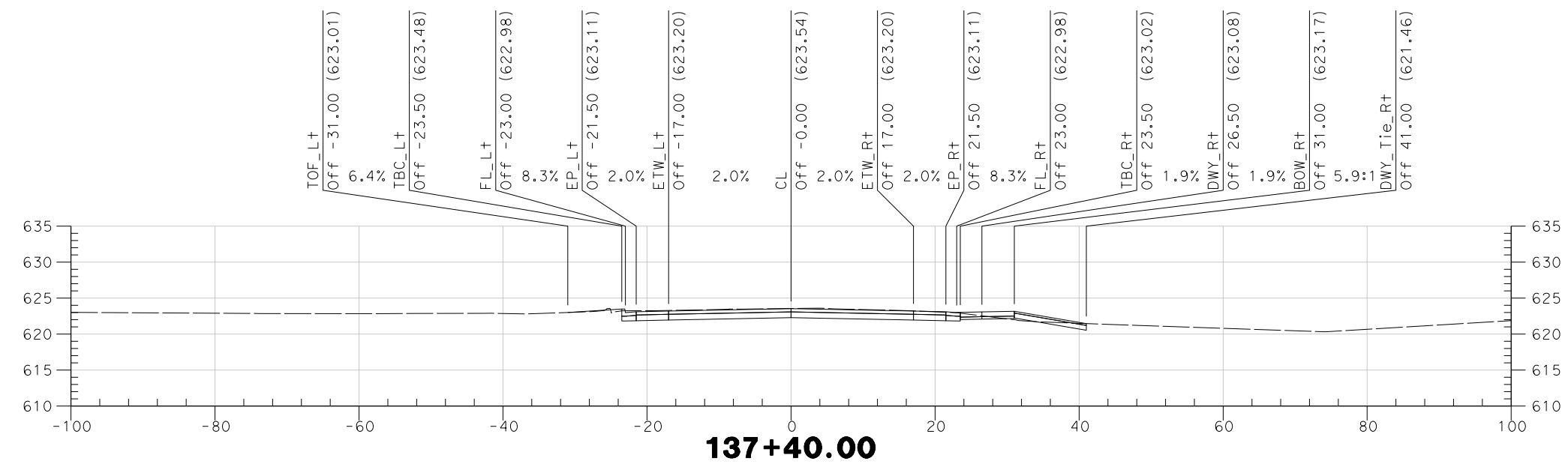
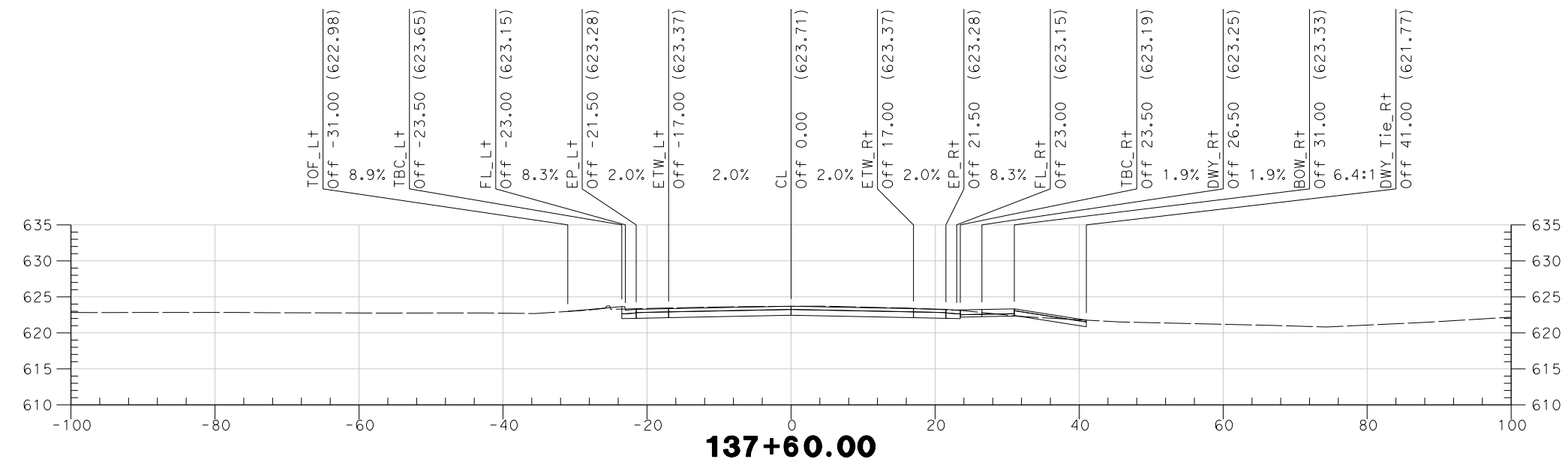
NORTH XS-16

STATE OF CALIFORNIA - DEPARTMENT OF TRANSPORTATION
Caltrans
 FUNCTIONAL SUPERVISOR
 CALCULATED/DESIGNED BY
 CHECKED BY
 REVISED BY
 DATE REVISED

| | | | | | |
|------|--------|--------|--------------------------|-----------|--------------|
| Dist | COUNTY | ROUTE | POST MILES TOTAL PROJECT | SHEET No. | TOTAL SHEETS |
| 01 | Men | CR 104 | | 17 | 20 |

REGISTERED CIVIL ENGINEER DATE _____
 PLANS APPROVAL DATE _____

THE STATE OF CALIFORNIA OR ITS OFFICERS OR AGENTS SHALL NOT BE RESPONSIBLE FOR THE ACCURACY OR COMPLETENESS OF SCANNED COPIES OF THIS PLAN SHEET.



Sta. 137+40 to Sta. 137+60

NORTH XS-17

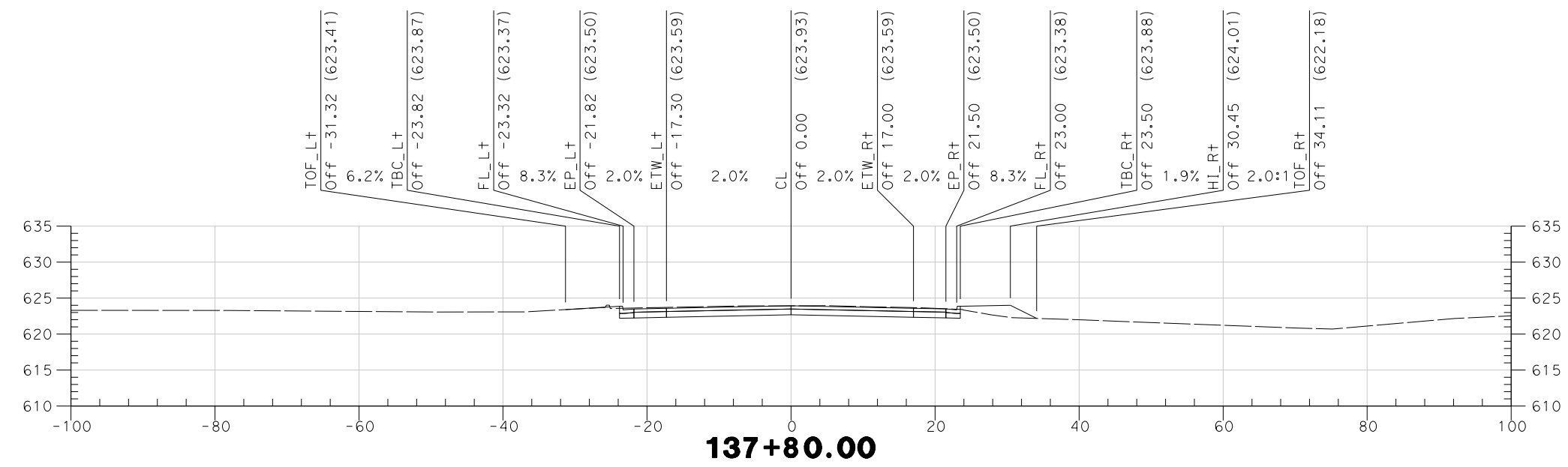
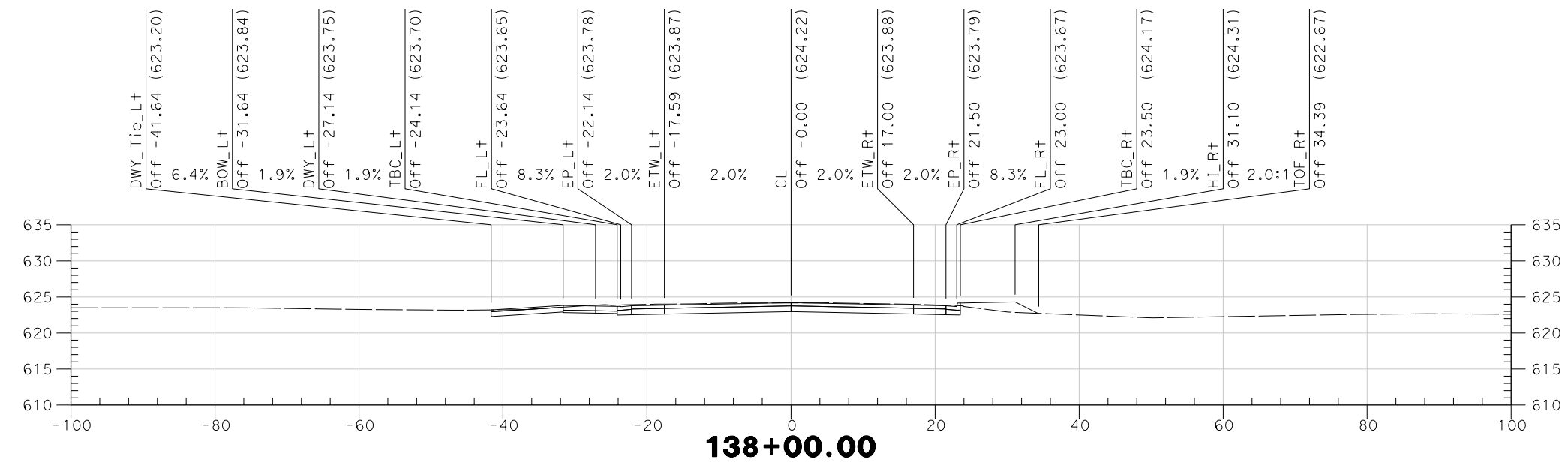
STATE OF CALIFORNIA - DEPARTMENT OF TRANSPORTATION
Caltrans
 FUNCTIONAL SUPERVISOR
 CALCULATED/DESIGNED BY
 CHECKED BY
 REVISED BY
 DATE REVISED

| | | | | | |
|------|--------|--------|--------------------------|-----------|--------------|
| Dist | COUNTY | ROUTE | POST MILES TOTAL PROJECT | SHEET No. | TOTAL SHEETS |
| 01 | Men | CR 104 | | 18 | 20 |

REGISTERED CIVIL ENGINEER DATE _____

PLANS APPROVAL DATE _____

THE STATE OF CALIFORNIA OR ITS OFFICERS OR AGENTS SHALL NOT BE RESPONSIBLE FOR THE ACCURACY OR COMPLETENESS OF SCANNED COPIES OF THIS PLAN SHEET.



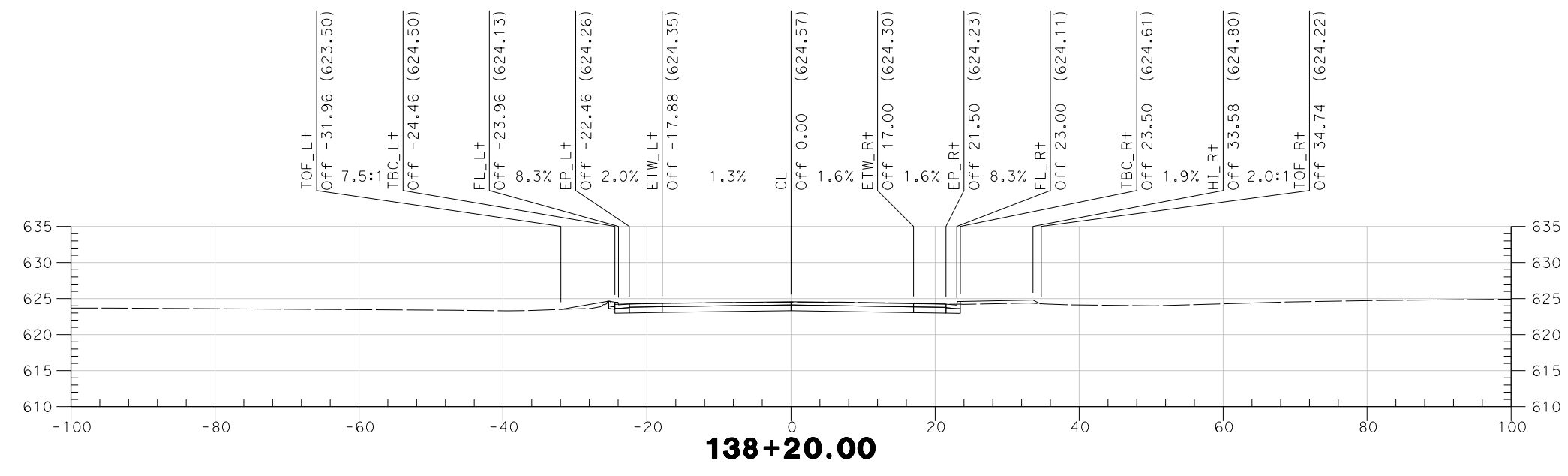
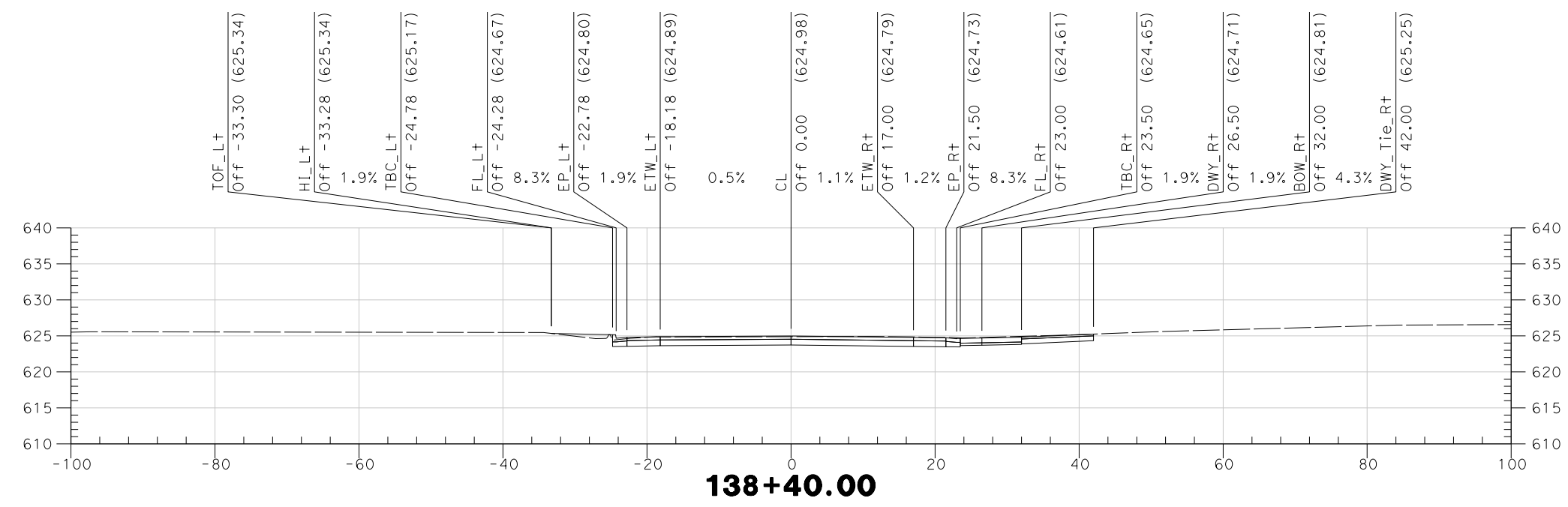
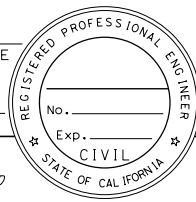
Sta. 137+80 to Sta. 138+00

NORTH XS-18

LAST REVISION DATE PLOTTED => 3/15/2024 00-00-00 TIME PLOTTED => 7:59:43 AM

STATE OF CALIFORNIA - DEPARTMENT OF TRANSPORTATION
Caltrans
 FUNCTIONAL SUPERVISOR
 CALCULATED/DESIGNED BY
 CHECKED BY
 REVISED BY
 DATE REVISED

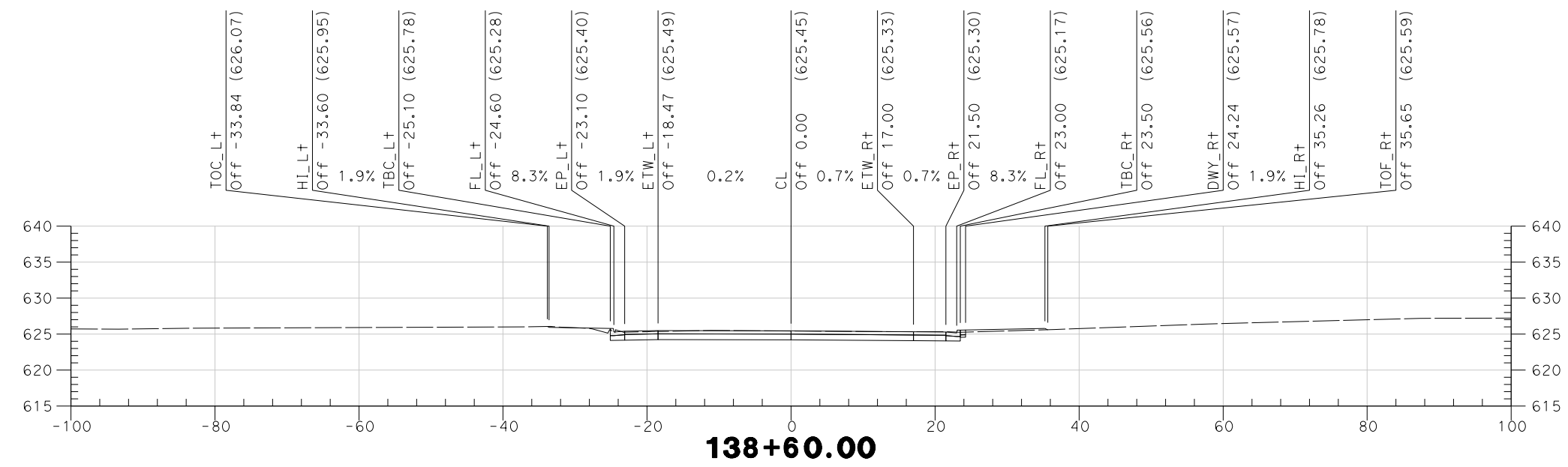
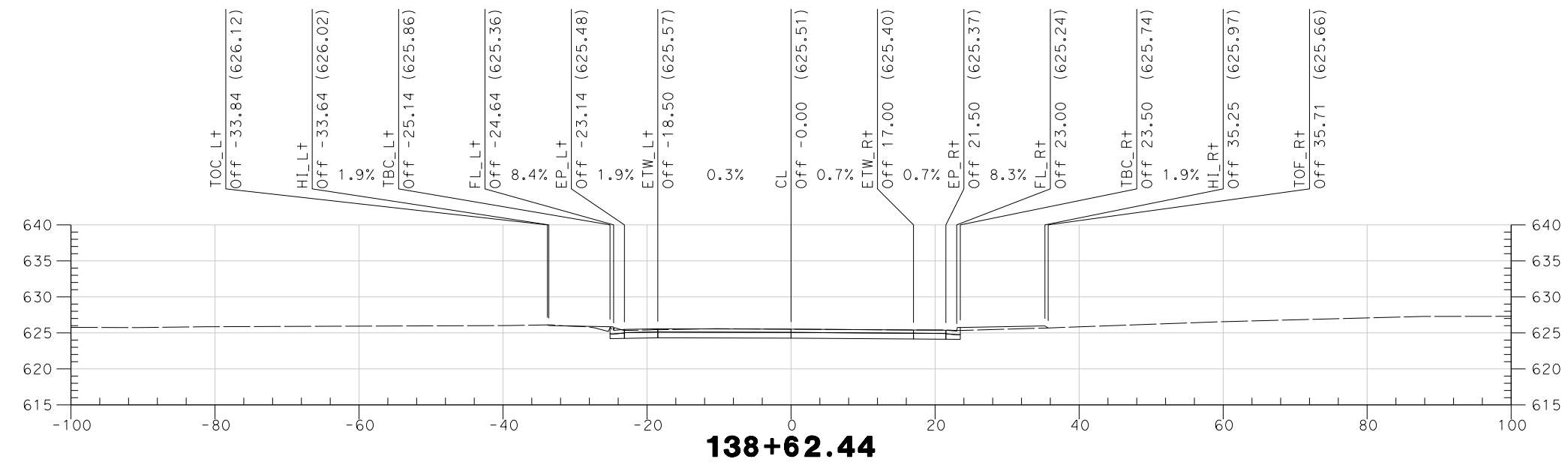
| | | | | | |
|---|--------|--------|--------------------------|-----------|--------------|
| Dist | COUNTY | ROUTE | POST MILES TOTAL PROJECT | SHEET No. | TOTAL SHEETS |
| 01 | Men | CR 104 | | 19 | 20 |
| REGISTERED CIVIL ENGINEER | | | DATE | | |
| PLANS APPROVAL DATE | | | | | |
| THE STATE OF CALIFORNIA OR ITS OFFICERS OR AGENTS SHALL NOT BE RESPONSIBLE FOR THE ACCURACY OR COMPLETENESS OF SCANNED COPIES OF THIS PLAN SHEET. | | | | | |



Sta. 138+20 to Sta. 138+40

NORTH
XS-19

LAST REVISION DATE PLOTTED => 3/15/2024
 00-00-00 TIME PLOTTED => 8:00:01 AM



Sta. 138+60 to Sta. 138+62

NORTH XS-20